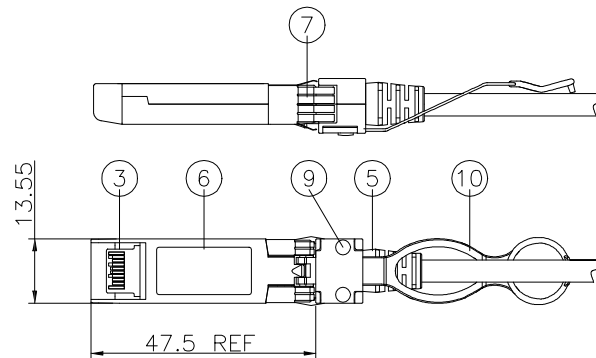
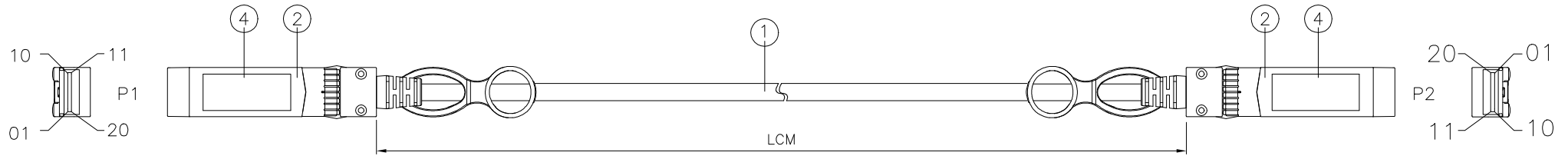


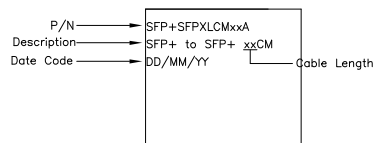
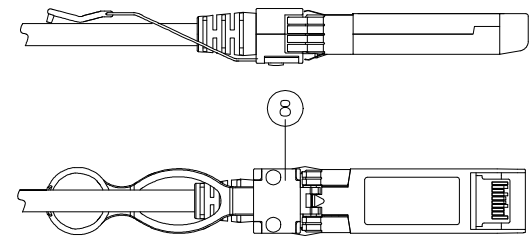
## Part List

1	Belden 2 x 30AWG 10G Black PVC 10G Cable
2	SFP+ Back Shell
3	SFP+ PCBA, 24/30AWG Golden Finger Gold Plated 30u"
4	SFP+ Shell Labels
5	SR Overmold
6	Inner Molding for SFP+
7	Mask Plane
8	Rivet
9	Pull Tab, PA66, Deep Blue
*RoHS Compliant	



### WIRING TABLE

P1		P2	
RD-12	←	→	19 TD-
RD+13	←	→	18 TD+
GND	←	→	GND
TD+18	←	→	13 RD+
TD-19	←	→	12 RD-
GND	←	→	GND



LABEL DETAIL

**SFP + SFP X L CM 30A**  
 SFP+ ———— | ———— 30: 30 AWG  
 SFP+ ———— | ———— L: Cable Length

Length(L)	Wire Gauge
30±2cm	30AWG
50±2cm	30AWG
100±3cm	30AWG
150±3cm	30AWG
200±3cm	30AWG
250±4cm	30AWG
300±4cm	30AWG
500±10cm	30AWG

Tolerances	Dwg. No.	S2320220622-02	Part No.	SFP+SFPXLCM30A		
x. = ±0.50	Projection	⊕ ◀	Title: SFP+ to SFP+ Cable Assembly Date Rate 10G	<b>OUPIN</b>		
.x = ±0.20	Unit mm	Scale 1:N		OUPIN ENTERPRISE CO., LTD.		
.xx = ±0.10	Drawn By	Martin 06/22'22		①517	SHEET	1/1
.xxx = ±0.05						