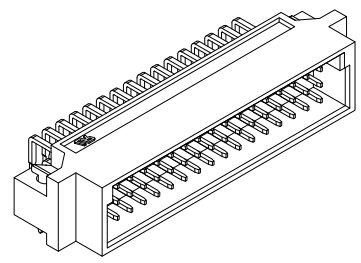
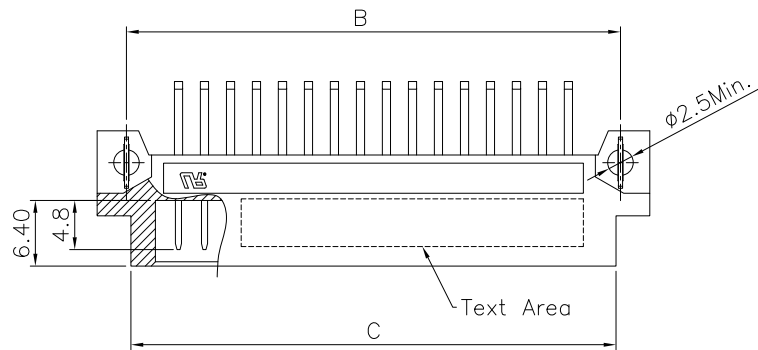


REV.	SPECIFICATION	ECN NO.	APPD.
R7		ECN231131	



Material:

Housing: PBT, UL94V-0, Beige.

Contacts: Brass

Gold Plated on Contact Area and 80u" Min Tin Plated on solder tail over Nickel 50u" Min

Lock: Phosphor Bronze

80u" Min Tin Plated over Nickel 50u" Min

Electrical Characteristics:

Current Rating: 2 AMP.

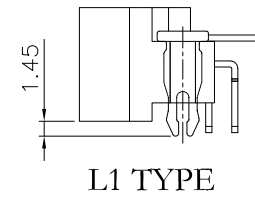
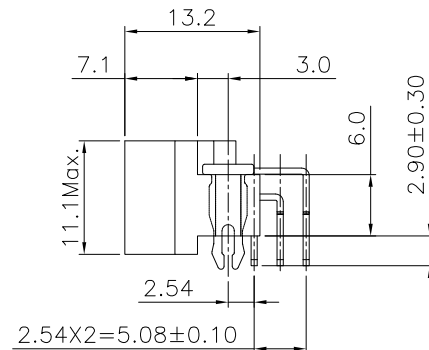
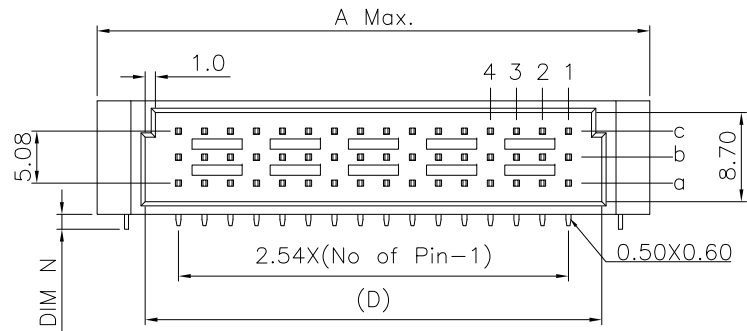
Dielectric Withstanding Voltage: AC 1000V For 1 minute.

Insulator Resistance: 10⁶MΩ min. at DC 500V.

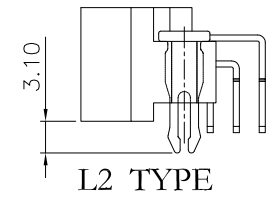
Contact Resistance: 20mΩ max. at DC 100mA.

Operating Temperature: -55°C~+125°C .

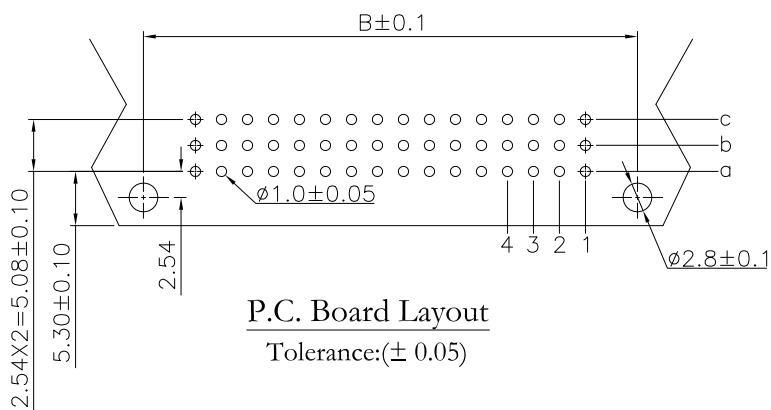
***RoHS Compliant**



L1 TYPE

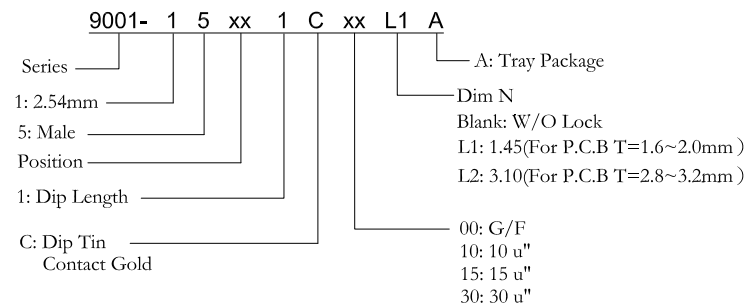


L2 TYPE



P.C. Board Layout

Tolerance:(± 0.05)



Dimension				
Position	A	B	C	D
48/32/16	54.00	48.26	47.40	44.60
30/20/10	38.10	33.02	32.16	29.36
Pitch	Position	Rows with Contacts	Contact Arrange	P/N
2.54mm	48	a b c		9001-15481C~
	32	a - c		9001-15321C~
	30	a b c		9001-15301C~
	20	a - c		9001-15201C~
	16	a - -		9001-15161C~
	10	a - - -		9001-15101C~

Tolerances	Dwg No.	9001D15001
x = ±0.5	Projection	
.x = ±0.25	Unit	mm
.xx = ±0.15	Scale	1:1
	Drawn By	GYJ 11/21'23

Title:
9001 Series
DIN41612
Half C Male Type

OUPIN			
OUPIN ELECTRONIC(KUNSHAN) CO., LTD.			
P/N: 9001-15xx1CxxL1A			
SHEET	1/1	Ver.No.	R7