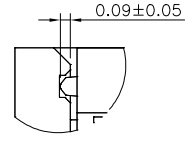
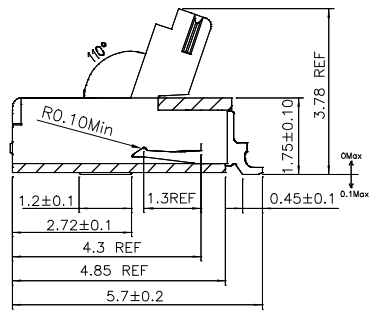
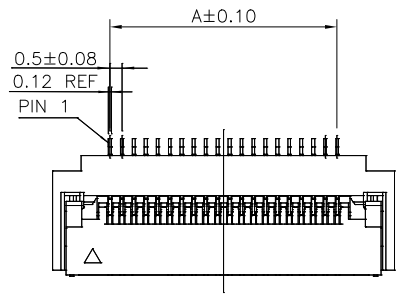


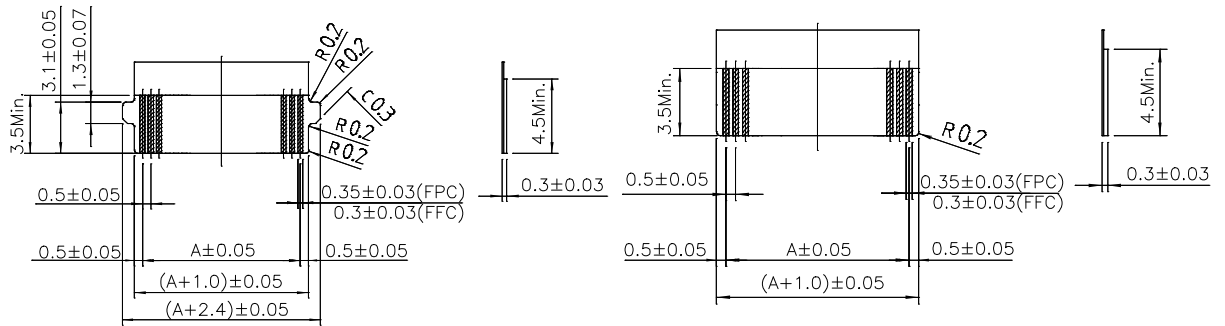
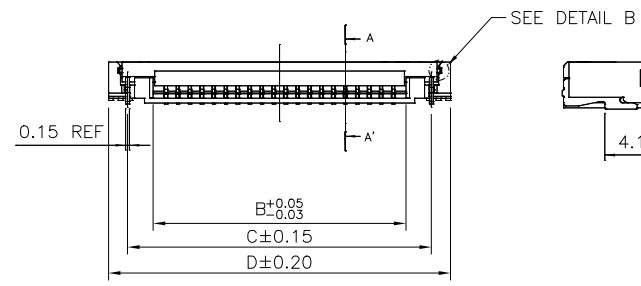
REV.	SPECIFICATION	ECN NO.	APPD.



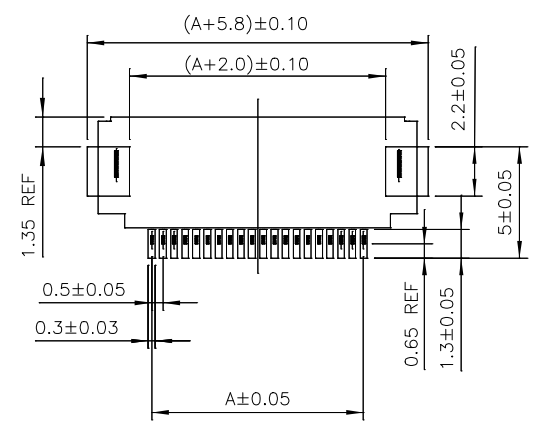
SECTION A-A'

DETAIL B

Material:
Housing: LCP, UL94V-0, Natural.
Locker: LCP, UL94V-0, Black.
Contacts: Phosphor Bronze, Gold Plated over Nickel 50u" .
Solder Tab: Brass, 100u" Matte Tin Plated over Nickel 50u" .
Electrical Characteristics:
Current Rating: 0.5 AMP.
Dielectric Withstanding Voltage: AC 500V.
Insulation Resistance: 500MΩ Min.
Contact Resistance: 30mΩ Max.
Operating Temperature: -40°C~+85°C.
***RoHS Compliant**



RECOMMENDED FPC/FFC



P.C.Board Layout

Series: 2537-J xx G 00 D B T
No. of Positions: xx
G: Gold Plated
00: Gold Flash
T: Tape & Reel Package
B: 0.3mm Thickness FFC/FPC
D: SMD Type

Positions		Dimension				Positions		Dimension			
		A	B	C	D			A	B	C	D
*	04	1.50	2.57	4.70	6.30	34	16.50	17.57	19.70	21.30	
*	06	2.50	3.57	5.70	7.30	36	17.50	18.57	20.70	22.30	
*	08	3.50	4.57	6.70	8.30	38	18.50	19.57	21.70	23.30	
*	10	4.50	5.57	7.70	9.30	*	40	19.50	20.57	22.70	24.30
*	12	5.50	6.57	8.70	10.30	42	20.50	21.57	23.70	25.30	
	14	6.50	7.57	9.70	11.30	44	21.50	22.57	24.70	26.30	
*	15	7.00	8.07	10.20	11.80	46	22.50	23.57	25.70	27.30	
	18	8.50	9.57	11.70	13.30	48	23.50	24.57	26.70	28.30	
*	20	9.50	10.57	12.70	14.30	50	24.50	25.57	27.70	29.30	
	22	10.50	11.57	13.70	15.30	52	25.50	26.57	28.70	30.30	
	24	11.50	12.57	14.70	16.30	54	26.50	27.57	29.70	31.30	
*	26	12.50	13.57	15.70	17.30	56	27.50	28.57	30.70	32.30	
	28	13.50	14.57	16.70	18.30	58	28.50	29.57	31.70	33.30	
*	30	14.50	15.57	17.70	19.30	60	29.50	30.57	32.70	34.30	
	32	15.50	16.57	18.70	20.30						

Tolerances	Dwg No.	2537D02005	
.x = ±0.30	Projection		
.xx = ±0.20	Unit	mm	Scale 1:N
.xxx = ±0.10	Drawn By	Martin 01/04'22	

Title: 2537-J Series
0.5mm Flip Lock Type
Accepts FFC/FPC
With Ear-Tabs
Φ525A

OUPIN			
OUPIN ELECTRONIC(KUNSHAN) CO., LTD.			
P/N: 2537-JxxGOODBT			
SHEET	1/1	Ver.No.	A4