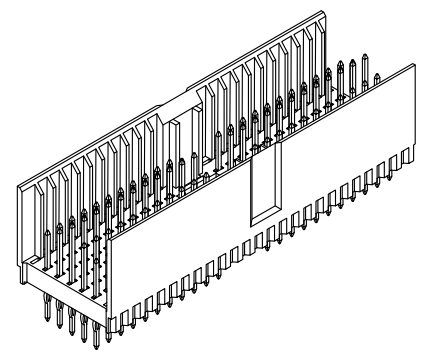
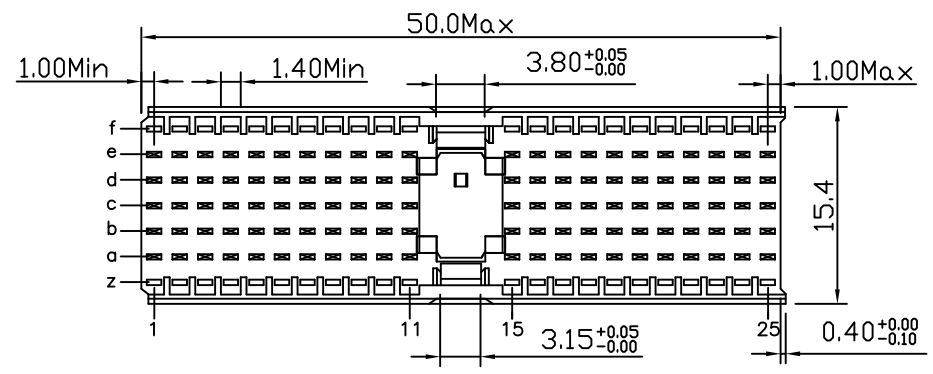


REV.	SPECIFICATION	ECN NO.	APPD.
R1			



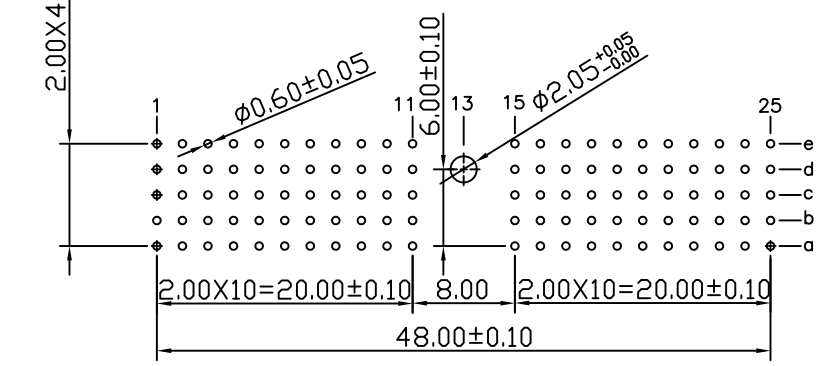
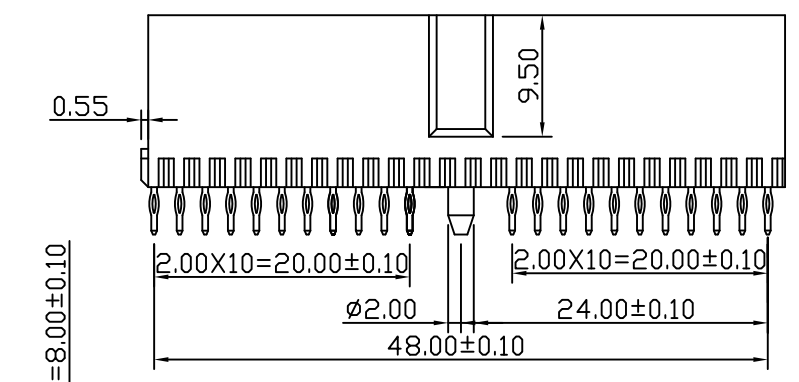
**Material:**

Housing: Thermoplastic Polyester Glass Filled UL94V-0  
 Contacts: Copper Alloy.

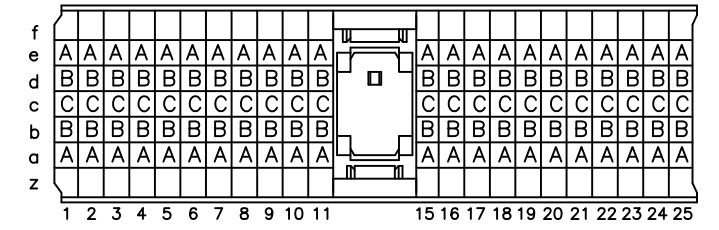
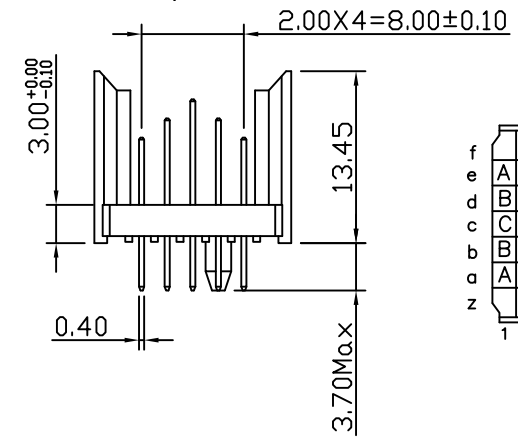
**Electrical Characteristics:**

Current Rating: 1 AMP.  
 Dielectric Withstanding Voltage: AC 750V For 1 minute.  
 Insulator Resistance: 10000MΩ min.at DC 500V.  
 Contact Resistance: 20mΩ max.at DC 100mA.  
 Operating Temperature: -55°C ~ +125°C.

**\*RoHS Compliant**

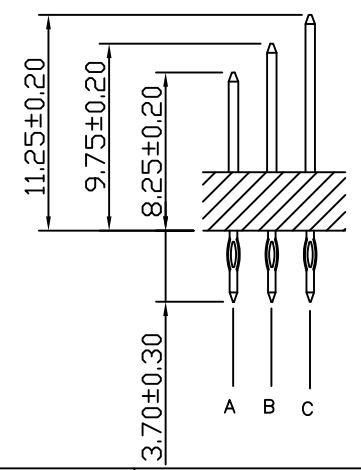


P.C. Board Layout  
(Top View)



CONTACT LAYOUT

- 9111- 7 1 A 154 Z C xx U
- Series
  - 7Row
  - 1: Male
  - A: Type A
  - Housing Type
  - Z: Z Option
  - U: Tube Package
  - 10: 10 u"
  - 30: 30 u"
  - C: Dip Tin
  - Contact Gold
  - G: Gold



Tolerances	Dwg. No.	9111D71112		Title: 9111 Series 2.00 Hard Metric Connectors Male Type A
x = ±0.5	Projection	⊕ ◯		
.x = ±0.25	Unit	mm	Scale 1:1	
.xx = ±0.15	Drawn By	Zhu QL 08/15'12		

9111 Series  
 2.00 Hard Metric  
 Connectors Male  
 Type A

**OUPIN**  
 OUPIN ELECTRONIC(KUNSHAN) CO., LTD.  
 P/N: 9111-71A154ZCxxU  
 SHEET 1/1 Ver.No. R1