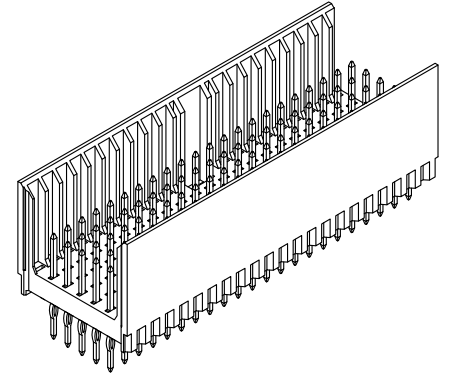
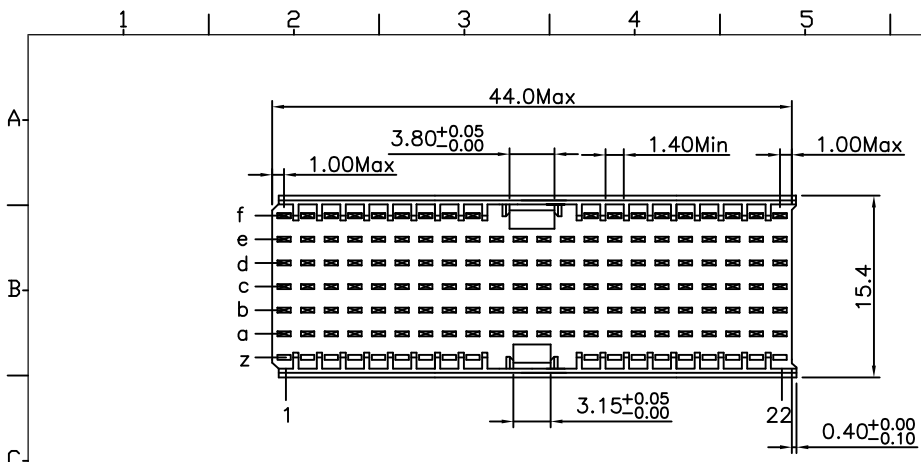


REV.	SPECIFICATION	ECN NO.	APPD.
R1			



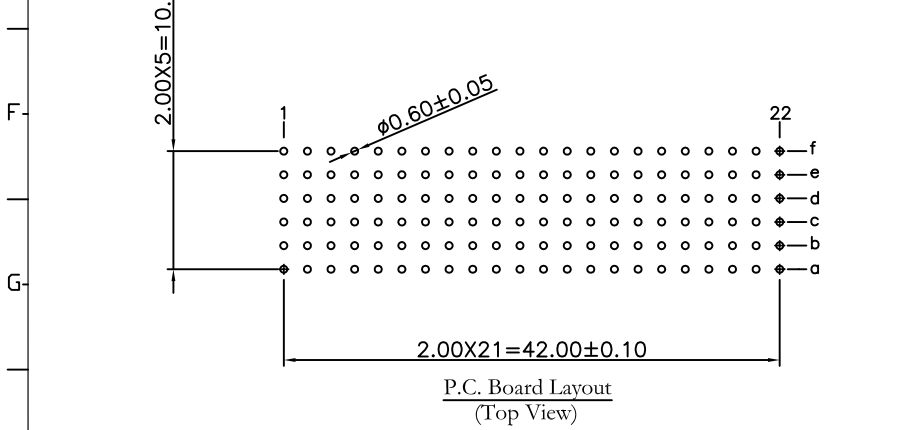
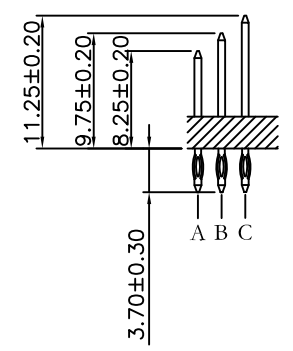
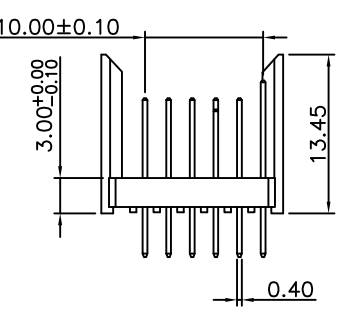
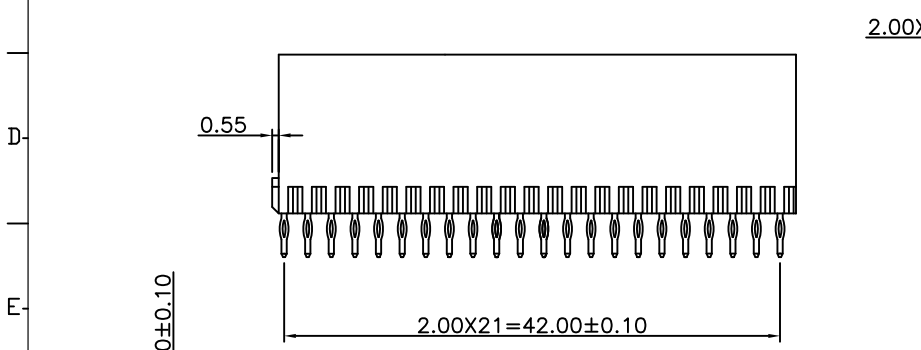
Material:
Housing: Thermoplastic Polyester Glass Filled UL94V-0
Contacts: Copper Alloy.

Electrical Characteristics:
Current Rating: 1 AMP.
Dielectric Withstanding Voltage: AC 750V For 1 minute.
Insulator Resistance: 10000MΩ min. at DC 500V.
Contact Resistance: 20mΩ max. at DC 100mA.
Operating Temperature: -55°C~+125°C .

***RoHS Compliant**

f	C	C	C	C	C	C	C	C		C	C	C	C	C	C	C	C	C	C			
e	B	B	B	B	B	B	B	B	B	B	B	B	B	B	B	B	B	B	B			
d	B	B	B	B	B	B	B	B	B	B	B	B	B	B	B	A	B	A	A			
c	B	B	B	B	B	B	B	B	B	B	B	B	B	B	B	B	B	B	B			
b	B	B	B	B	B	B	B	B	B	B	B	B	B	B	B	B	B	B	B			
a	B	B	B	B	B	B	B	B	B	B	B	B	B	B	B	B	B	B	B			
z																						
	1	2	3	4	5	6	7	8	9	10	11	12	13	14	15	16	17	18	19	20	21	22

CONTACT LAYOUT



9111- 7 1 AB 146 G C xx U

Series: 7Row, 1: Male, AB: Type AB, Housing Type, G: G Option

U: Tube Package
10: 10 u"
30: 30 u"
C: Dip Tin
Contact Gold
G: Gold

Tolerances x = ±0.5 .x = ±0.25 .xx = ±0.15	Drawn No.	9111D71204		Title: 9111 Series 2.00 Hard Metric Connectors Male Type AB-22					
	Projection								OUPIIN ELECTRONIC(KUNSHAN) CO., LTD. P/N: 9111-71AB146GCxxU
	Unit	mm	Scale		1:1	SHEET	1/1	Ver.No.	
	Drawn By	Emp 02/09/10				R1			