

| | | | |
|------|---------------|---------|-------|
| REV. | SPECIFICATION | ECN NO. | APPD. |
| R3 | | | |

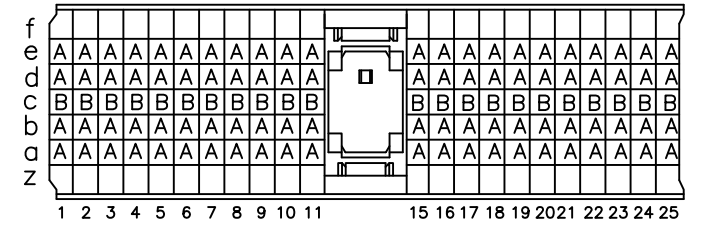
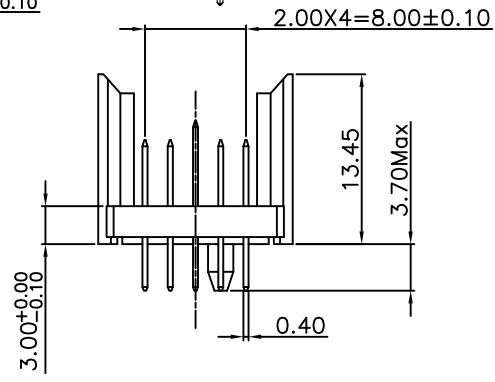
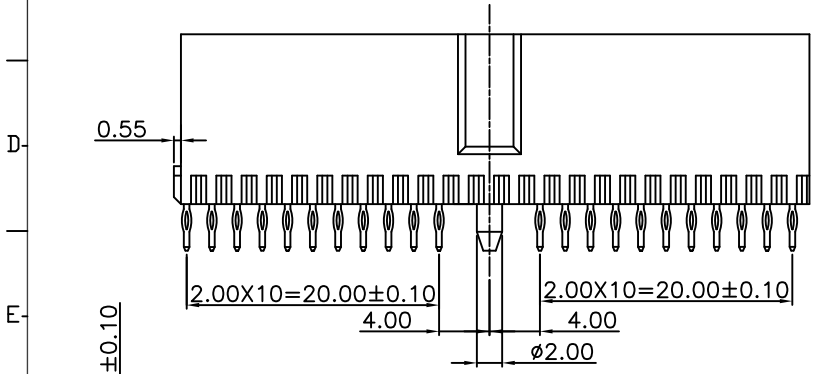
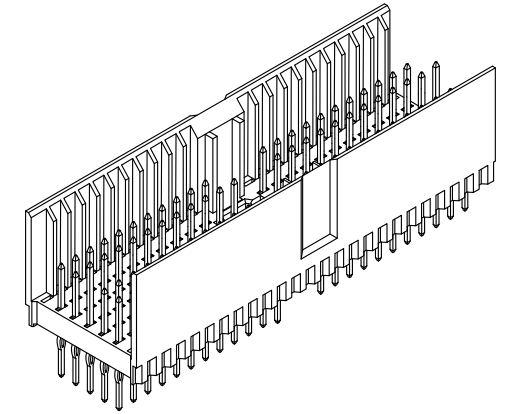
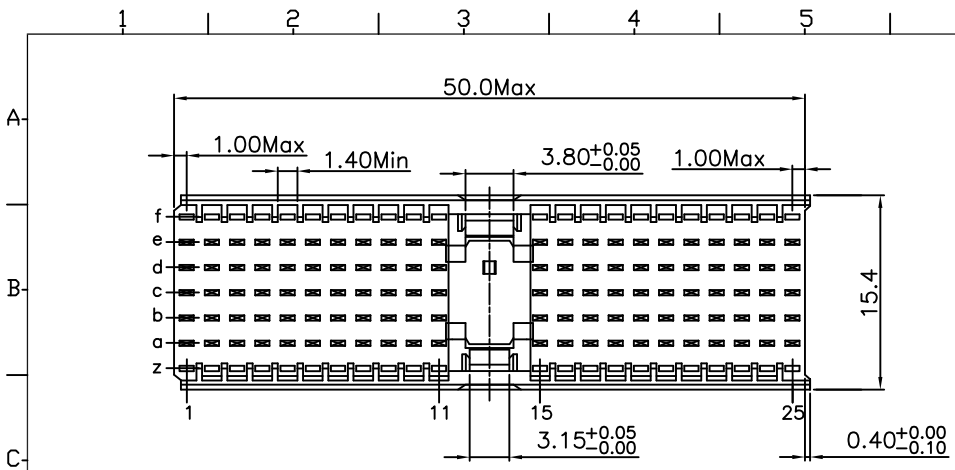
Material:

Housing: Thermoplastic Polyester Glass Filled UL94V-0
 Contacts: Copper Alloy.

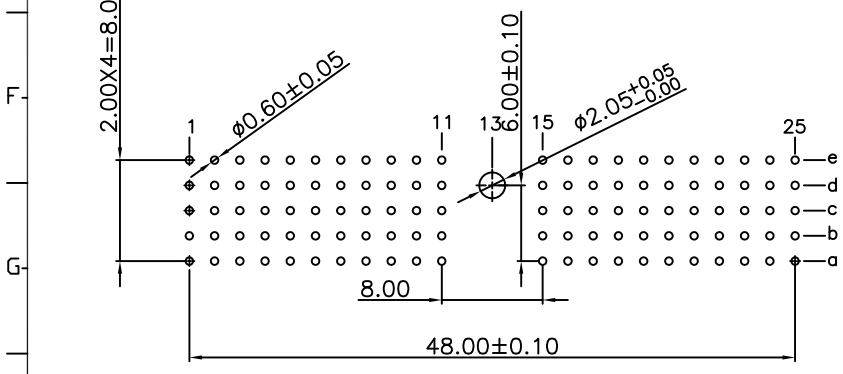
Electrical Characteristics:

Current Rating: 1 AMP.
 Dielectric Withstanding Voltage: AC 750V For 1 minute.
 Insulator Resistance: 10000MΩ min.at DC 500V.
 Contact Resistance: 20mΩ max.at DC 100mA.
 Operating Temperature: -55°C ~ +125°C.

***RoHS Compliant**

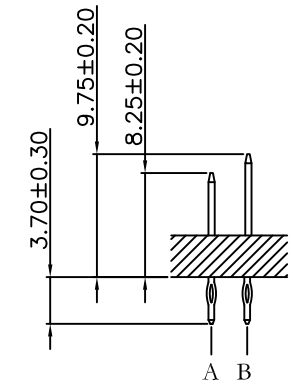


CONTACT LAYOUT



P.C. Board Layout
(Top View)

9111- 7 1 A 154 L C xx U
 Series: 9111- 7
 7Row
 1: Male
 A: Type A
 Housing Type
 L: L Option
 U: Tube Package
 10: 10μ"
 30: 30μ"
 C: Dip Tin
 Contact Gold
 G: Gold



| | | | | |
|-------------|------------|-----------------|--------|---|
| Tolerances | Dwg. No. | 9111D71050 | Title: | 9111 Series 2.00 Hard Metric Connector Male Type A |
| x = ±0.5 | Projection | | | |
| .x = ±0.25 | Unit | mm | | |
| .xx = ±0.15 | Scale | 1:1 | | |
| | Drawn By | Zhu QL 08/15'12 | | |

| | | | |
|-------------------------------------|-----|---------|----|
| OUPIN | | | |
| OUPIN ELECTRONIC(KUNSHAN) CO., LTD. | | | |
| P/N: 9111-71A154LCxxU | | | |
| SHEET | 1/1 | Ver.No. | R3 |