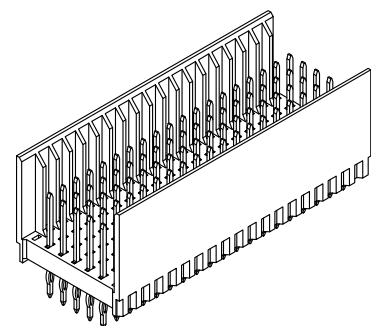
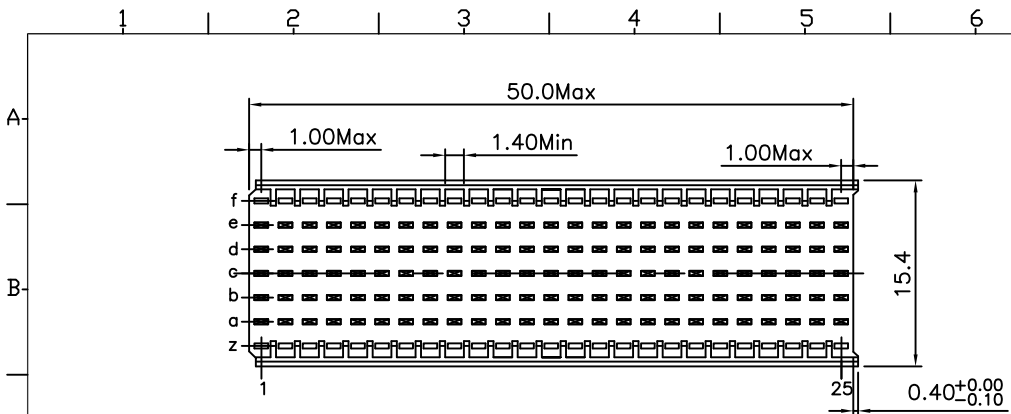


REV.	SPECIFICATION	ECN NO.	APPD.
R1			



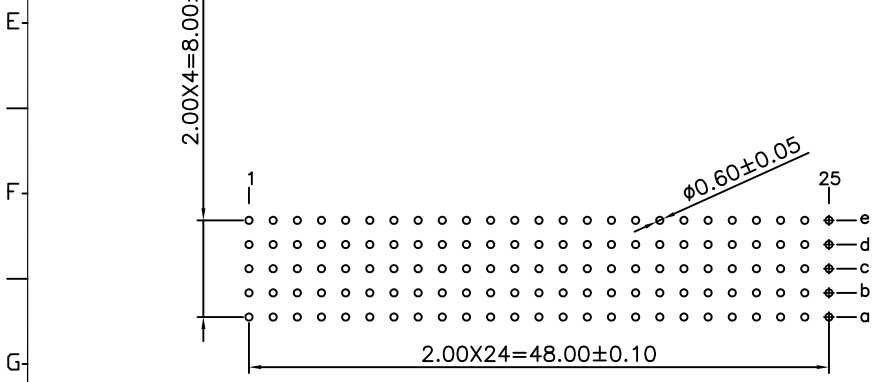
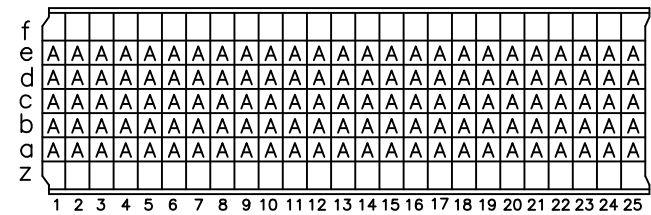
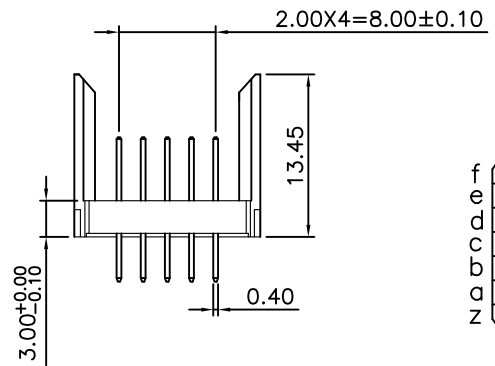
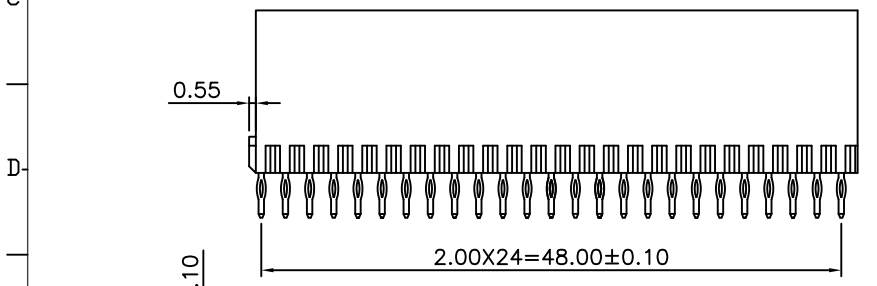
**Material:**

Housing: Thermoplastic Polyester Glass Filled UL94V-0  
 Contacts: Copper Alloy.

**Electrical Characteristics:**

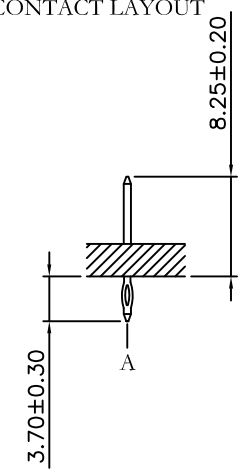
Current Rating: 1 AMP.  
 Dielectric Withstanding Voltage: AC 750V For 1 minute.  
 Insulator Resistance: 10000MΩ min.at DC 500V.  
 Contact Resistance: 20mΩ max.at DC 100mA.  
 Operating Temperature: -55°C ~ +125°C.

**\*RoHS Compliant**



9111- 7 1 B 175 A C xx U  
 Series: 9111-7-1  
 7Row  
 1: Male  
 B: Type B  
 Housing Type  
 A: A Option  
 U: Tube Package  
 10: 10 u"  
 30: 30 u"  
 C: Dip Tin  
 Contact Gold  
 G: Gold

**CONTACT LAYOUT**



P.C. Board Layout  
(Top View)

<b>Tolerances</b> x = ±0.5 .x = ±0.25 .xx = ±0.15	<b>Dwg. No.</b>	9111D71039	<b>Title:</b> 9111 Series Hard Metric Connector Male Type B-25			
	<b>Projection</b>					
	<b>Unit</b>	mm		<b>Scale</b>	1:1	<b>SHEET</b> 1/1
	<b>Drawn By</b>	Zhu QL		<b>Date</b>	08/02'12	