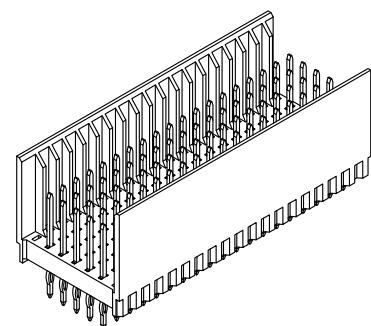
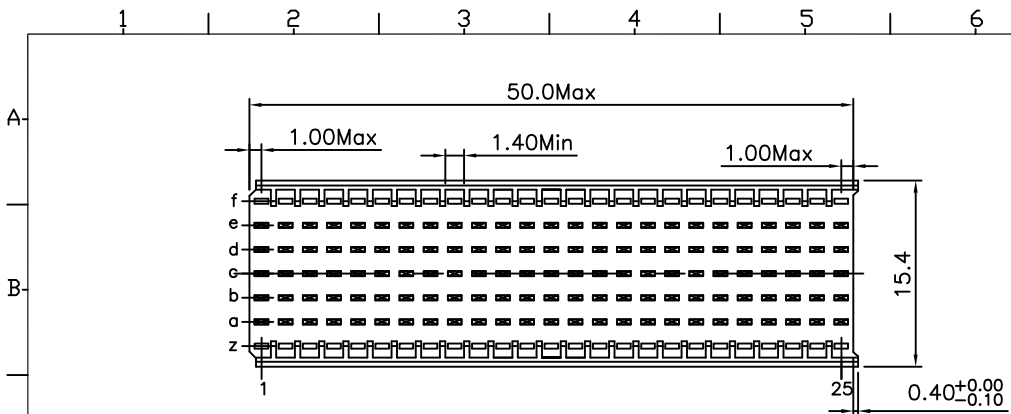


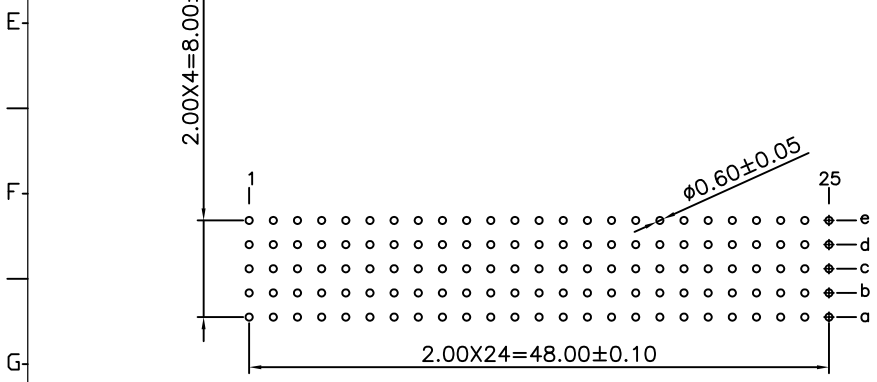
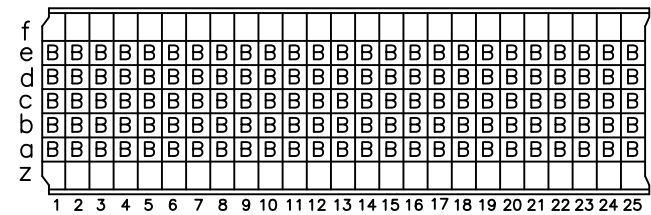
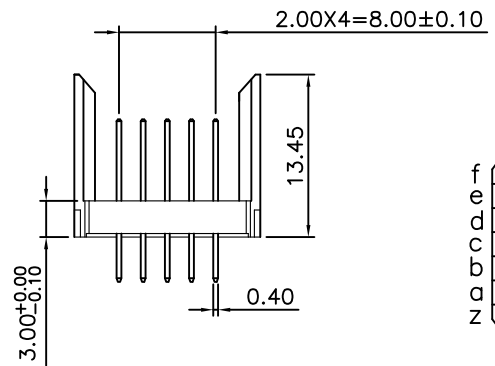
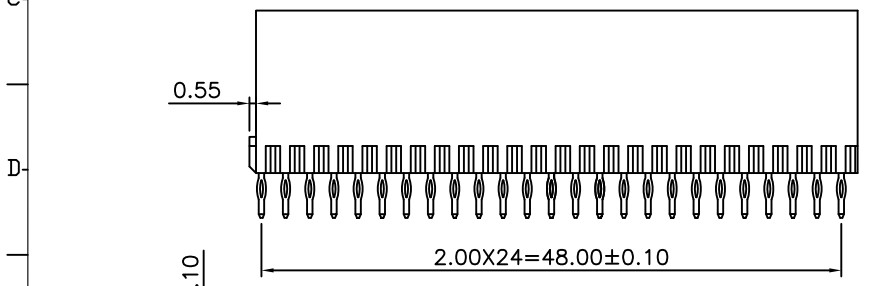
REV.	SPECIFICATION	ECN NO.	APPD.
R1			



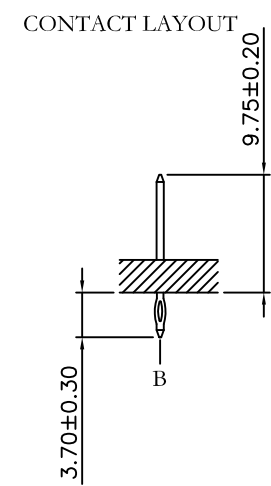
**Material:**  
Housing: Thermoplastic Polyester Glass Filled UL94V-0  
Contacts: Copper Alloy.

**Electrical Characteristics:**  
Current Rating: 1 AMP.  
Dielectric Withstanding Voltage: AC 750V For 1 minute.  
Insulator Resistance: 10000MΩ min.at DC 500V.  
Contact Resistance: 20mΩ max.at DC 100mA.  
Operating Temperature: -55°C ~ +125°C.

**\*RoHS Compliant**



9111- 7 1 B 175 B C xx U  
Series: 9111-7  
7Row  
1: Male  
B: Type B  
Housing Type: B  
B: B Option  
U: Tube Package  
10: 10 u"  
30: 30 u"  
C: Dip Tin  
Contact Gold  
G: Gold



P.C. Board Layout  
(Top View)

Tolerances	Dwg. No.	9111D71040	Title:	
x = ±0.5	Projection		9111 Series	
.x = ±0.25	Unit	mm	Hard Metric Connector	
.xx = ±0.15	Scale	1:1	Male Type B-25	
	Drawn By	Zhu QL 08/02'12		

9111 Series  
Hard Metric Connector  
Male Type B-25

<b>OUPIN</b>			
OUPIN ELECTRONIC(KUNSHAN) CO., LTD.			
P/N: 9111-71B175BCxxU			
SHEET	1/1	Ver.No.	R1