

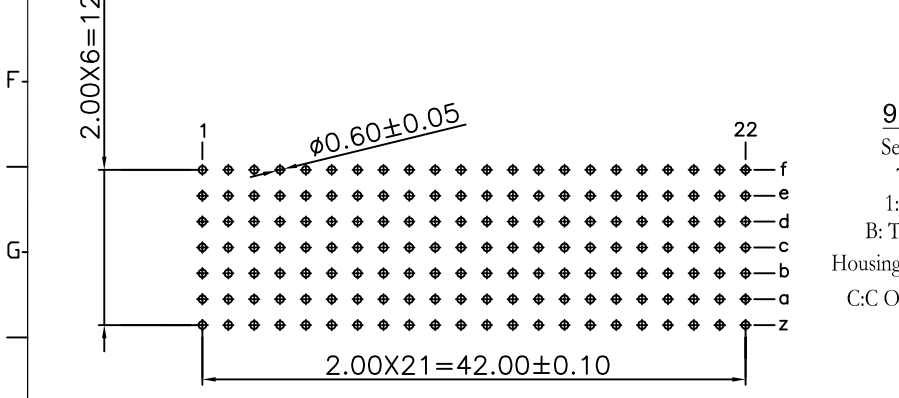
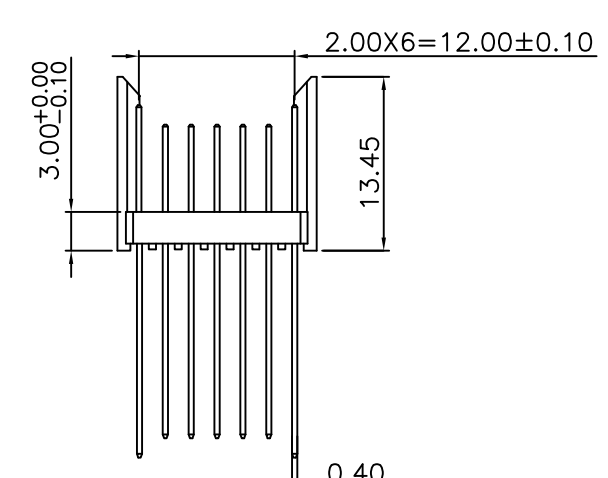
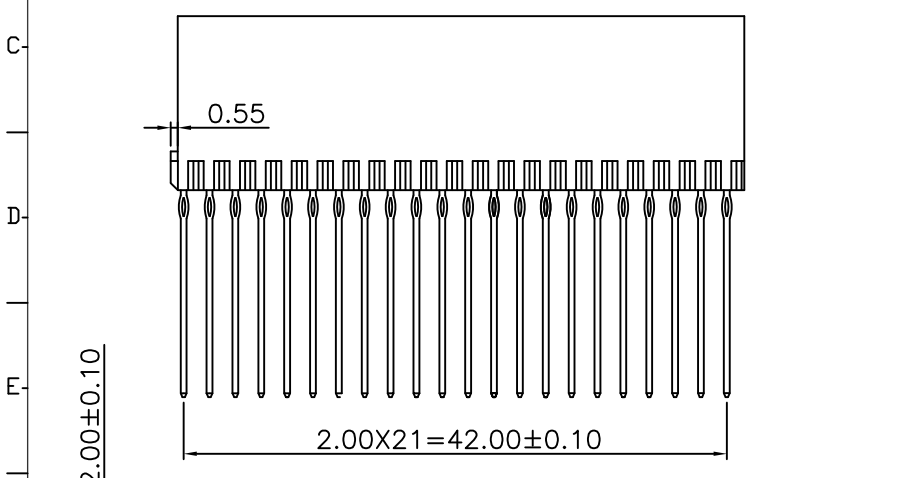
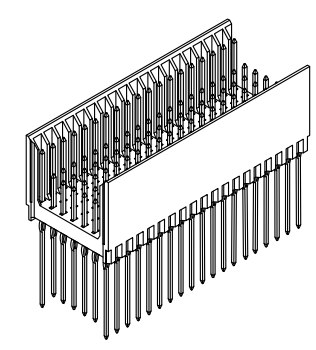
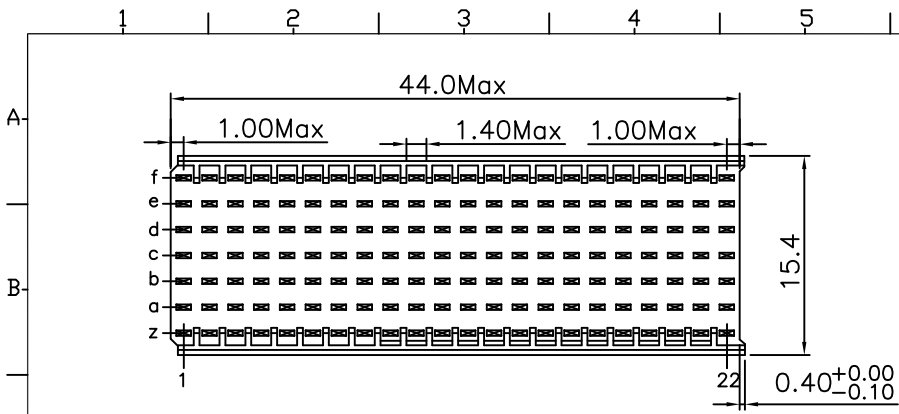
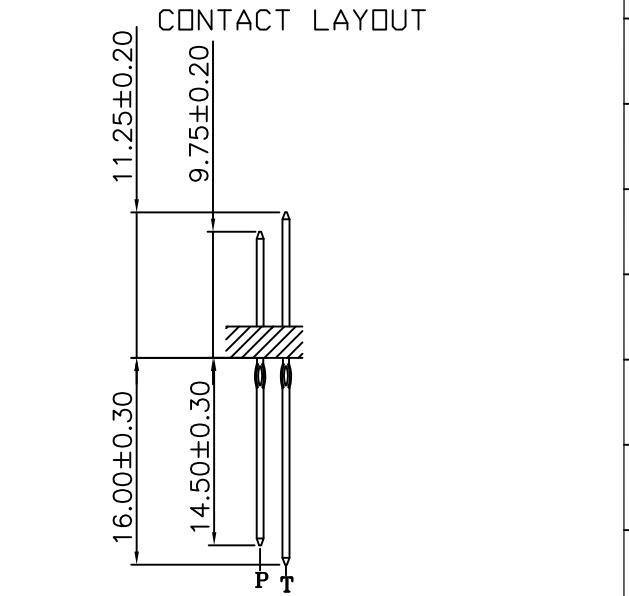
REV.	SPECIFICATION	ECN NO.	APPD.
R1			

**Material:**  
Housing: Thermoplastic Polyester Glass Filled UL94V-0  
Contacts: Copper Alloy.

**Electrical Characteristics:**  
Current Rating: 1 AMP.  
Dielectric Withstanding Voltage: AC 750V For 1 minute.  
Insulator Resistance: 10000MΩ min.at DC 500V.  
Contact Resistance: 20mΩ max.at DC 100mA.  
Operating Temperature: -55°C ~ +125°C.

**\*RoHS Compliant**

f	T	T	T	T	T	T	T	T	T	T	T	T	T	T	T	T	T	T	T	T	T	T
e	P	P	P	P	P	P	P	P	P	P	P	P	P	P	P	P	P	P	P	P	P	P
d	P	P	P	P	P	P	P	P	P	P	P	P	P	P	P	P	P	P	P	P	P	P
c	P	P	P	P	P	P	P	P	P	P	P	P	P	P	P	P	P	P	P	P	P	P
b	P	P	P	P	P	P	P	P	P	P	P	P	P	P	P	P	P	P	P	P	P	P
a	P	P	P	P	P	P	P	P	P	P	P	P	P	P	P	P	P	P	P	P	P	P
z	T	T	T	T	T	T	T	T	T	T	T	T	T	T	T	T	T	T	T	T	T	T
	1	2	3	4	5	6	7	8	9	10	11	12	13	14	15	16	17	18	19	20	21	22



P.C. Board Layout  
(Top View)

9111- 7 1 B 154 D C xx U  
Series      7Row      1: Male      B: Type B      Housing Type      C:C Option      U: Tube Package      10: 10 u"      30: 30 u"      C: Dip Tin      Contact Gold      G: Gold

Tolerances x = ±0.5 .x = ±0.25 .xx = ±0.15	Dwg. No.	9111D71034		Title: 9111 Series 2.00 Hard Metric Connectors Male Type B-22	 <b>OUPIIN ELECTRONIC(KUNSHAN) CO., LTD.</b>				
	Projection								<b>P/N: 9111-71B154DCxxU</b>
	Unit	mm	Scale		1:1	SHEET	1/1	Ver.No.	
	Drawn By	Zhu QL 0815'12							