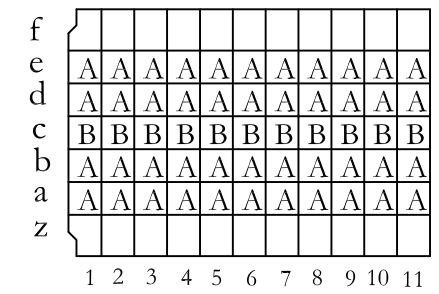
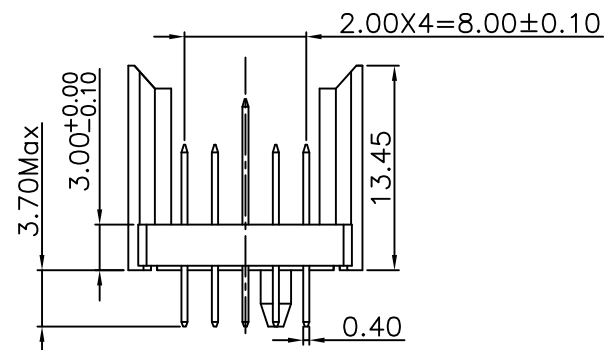
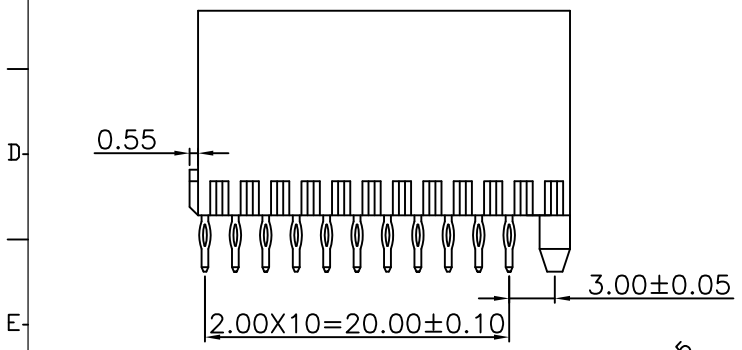
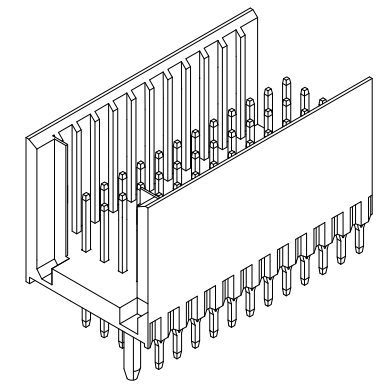
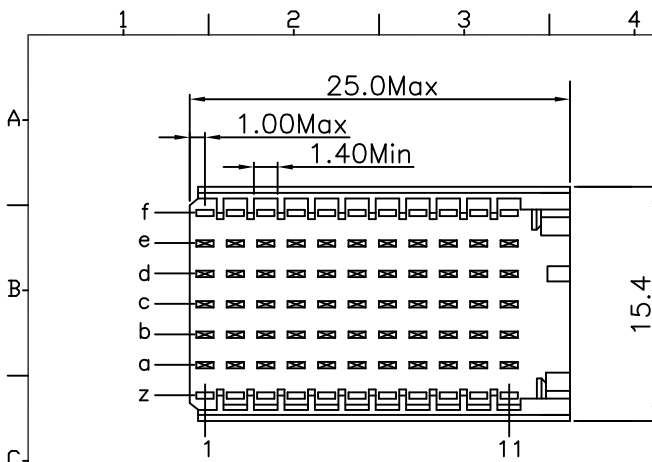


REV.	SPECIFICATION	ECN NO.	APPD.
R3			

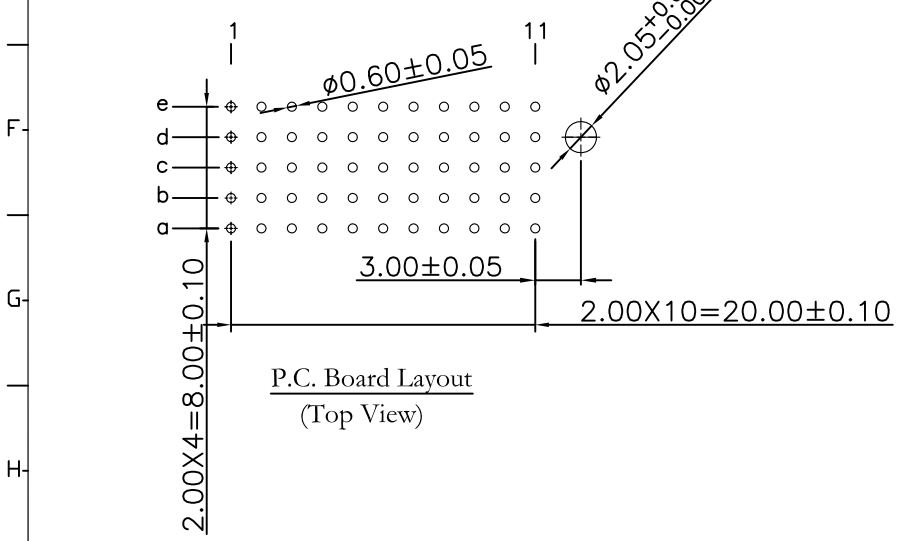
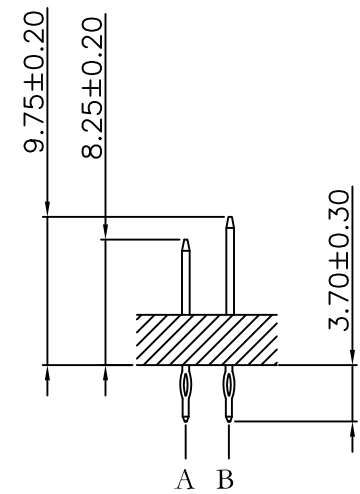
Material:
Housing: Thermoplastic Polyester Glass Filled UL94V-0
Contacts: Copper Alloy.

Electrical Characteristics:
Current Rating: 1 AMP.
Dielectric Withstanding Voltage: AC 750V For 1 minute.
Insulator Resistance: 10000MΩ min.at DC 500V.
Contact Resistance: 20mΩ max.at DC 100mA.
Operating Temperature: -55°C ~ +125°C.

***RoHS Compliant**



CONTACT LAYOUT



9111-71C77HCxxU

Series: 9111-71C77HCxxU
7Row: 7 Row
1: Male
C: Type C
Housing Type: H
H: H Option

U: Tube Package
10: 10μΩ
30: 30μΩ
C: Dip Tin Contact Gold
G: Gold

Tolerances	Dwg. No.	9111D71079		Title:	9111 Series 2.00 Hard Metric Connector Male Type C	 OUPIIN ELECTRONIC(KUNSHAN) CO., LTD.			
x = ±0.5	Projection			P/N:					
.x = ±0.25	Unit	mm	Scale	1:1		SHEET	1/1	Ver.No.	R3
.xx = ±0.15	Drawn By	Zhu QL 08/15'12							