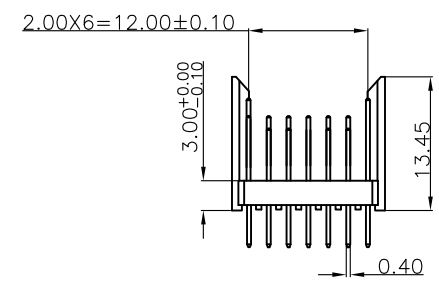
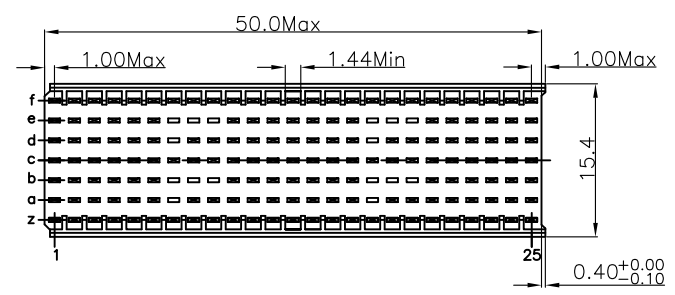
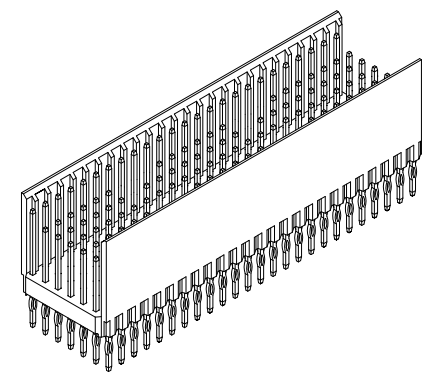


REV.	SPECIFICATION	ECN NO.	APPD.
R1			

Material:
Housing: Thermoplastic Polyester Glass Filled UL94V-0
Contacts: Copper Alloy.

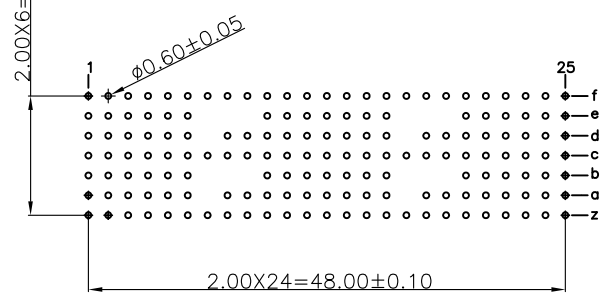
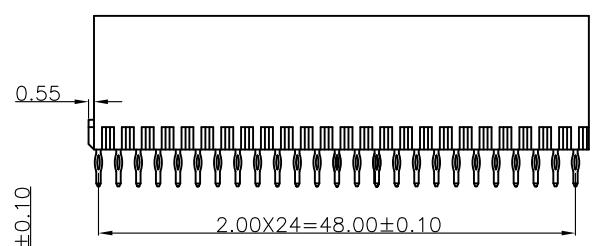
Electrical Characteristics:
Current Rating: 1 AMP.
Dielectric Withstanding Voltage: AC 750V For 1 minute.
Insulator Resistance: 10000MΩ min.at DC 500V.
Contact Resistance: 20mΩ max.at DC 100mA.
Operating Temperature: -55°C ~ +125°C.

***RoHS Compliant**



f	B	B	B	B	B	C	C	B	B	B	B	B	C	C	B	B	B	B	B						
e	A	A	B	A	A	B		B	A	A	B	A	B		B	A	A	B	A						
d	A	A	B	A	A	B		A	A	B	A	A	B		A	A	B	A	A						
c	B	B	B	B	B	B	B	B	B	B	B	B	B	B	B	B	B	B	B						
b	A	A	B	A	A	B		B	A	A	B	A	B		B	A	A	B	A						
a	A	A	B	A	A	B		A	A	B	A	A	B		A	A	B	A	A						
z	B	B	B	B	B	C	C	B	B	B	B	B	C	C	B	B	B	B	B						
	1	2	3	4	5	6	7	8	9	10	11	12	13	14	15	16	17	18	19	20	21	22	23	24	25

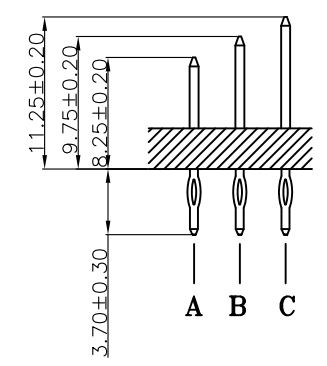
CONTACT LAYOUT



P.C. Board Layout
(Top View)

9111- 7 1 B 175 T C xx U

Series: 9111-
7Row: 7
1: Male
B: Type B
Housing Type: 175
T: T Option
C: Dip Tin
xx: Contact Gold
U: Tube Package
10: 10 u"
30: 30 u"
G: Gold



Tolerances	Dwg. No.	9111D71093		Title:	
x = ±0.5	Projection	⊕ ⊖		9111 Series 2.00 Haed Metric Connectors Male Type B-25	
.x = ±0.25	Unit	mm	Scale		1:1
.xx = ±0.15	Drawn By	Zhu QL 08/15'12			

OUPIN			
OUPIN ELECTRONIC(KUNSHAN) CO., LTD.			
P/N: 9111-71B175TCxxU			
SHEET	1/1	Ver.No.	R1