

REV.	SPECIFICATION	ECN NO.	APPD.
R1			

**Material:**

Housing: Thermoplastic Polyester Glass Filled UL94V-0  
 Contacts: Copper Alloy.

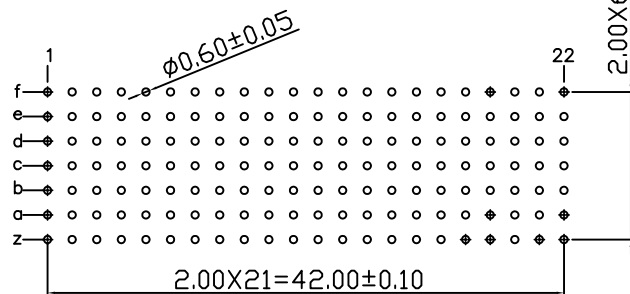
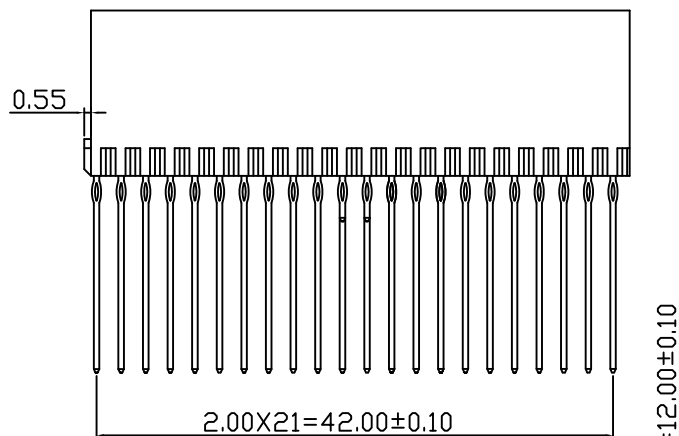
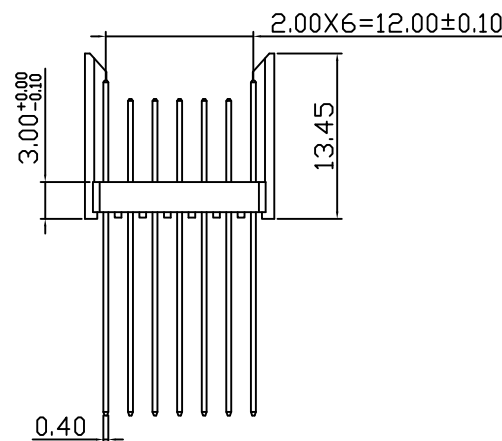
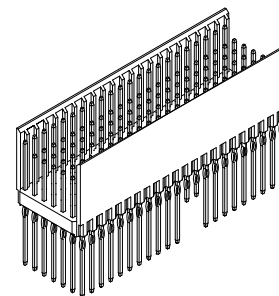
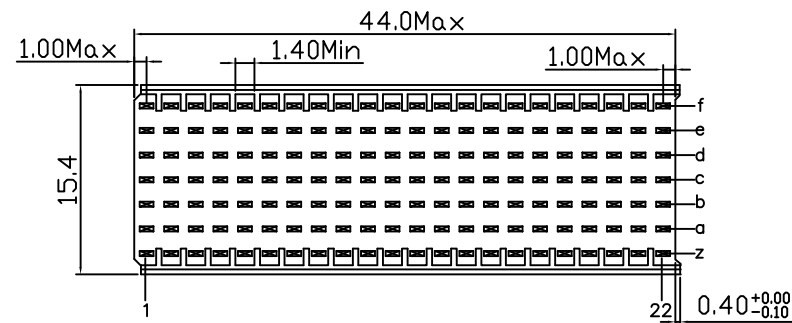
**Electrical Characteristics:**

Current Rating: 1 AMP.  
 Dielectric Withstanding Voltage: AC 750V For 1 minute.  
 Insulator Resistance: 10000MΩ min.at DC 500V.  
 Contact Resistance: 20mΩ max.at DC 100mA.  
 Operating Temperature: -55°C ~ +125°C.

**\*RoHS Compliant**

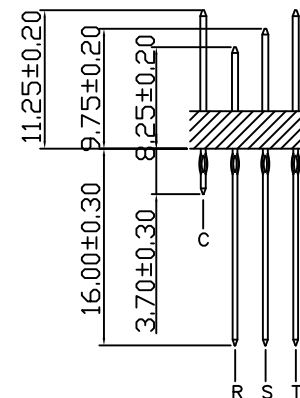
f	T	T	T	T	T	T	T	T	T	T	C	C	T	T	T	T	T	T	T	T		
e	R	R	R	R	R	R	R	R	R	R	R	R	R	R	R	R	R	R	S	S	S	S
d	R	R	R	R	R	R	R	R	R	R	R	R	R	R	R	R	R	R	S	S	S	S
c	R	R	R	R	R	R	R	R	R	R	R	R	R	R	R	R	R	R	S	S	S	S
b	R	R	R	R	R	R	R	R	R	R	R	R	R	R	R	R	R	R	S	S	S	S
a	R	R	R	R	R	R	R	R	R	R	R	R	R	R	R	R	R	R	S	S	S	S
z	T	T	T	T	T	T	T	T	T	T	C	C	T	T	T	T	T	T	T	T	T	T
	1	2	3	4	5	6	7	8	9	10	11	12	13	14	15	16	17	18	19	20	21	22

CONTACT LAYOUT



P.C. Board Layout  
(Top View)

9111- 7 1 B 154 J C xx U  
 Series      7Row      1: Male      B: Type B      Housing Type      J: J Option      U: Tube Package      C: Dip Tin      Contact Gold      G: Gold



<b>Tolerances</b>	<b>Dwg. No.</b>	9111D71105		<b>Title:</b>	9111 Series 2.00 Hard Metric Connectors Male Type B-22		
x = ±0.5	<b>Projection</b>	⊕ ⊖		SHEET	1/1	Ver.No.	
.x = ±0.25	<b>Unit</b>	mm	<b>Scale</b>				R1
.xx = ±0.15	<b>Drawn By</b>	Zhu QL 08/15'12					



OUPIIN ELECTRONIC(KUNSHAN) CO., LTD.

P/N: 9111-71B154JCxxU

SHEET 1/1 Ver.No. R1