

REV.	SPECIFICATION	ECN NO.	APPD.
R1			

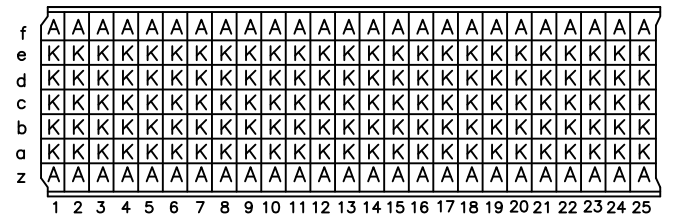
**Material:**

Housing: Thermoplastic Polyester Glass Filled UL94V-0  
 Contacts: Copper Alloy.

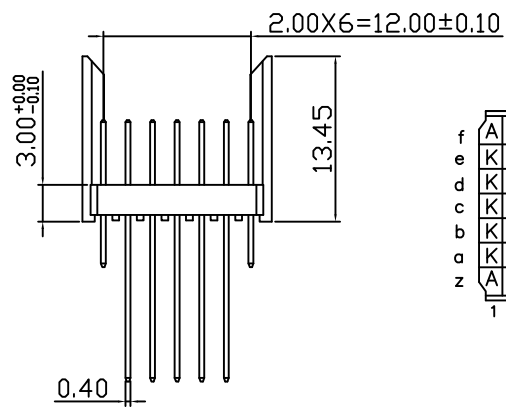
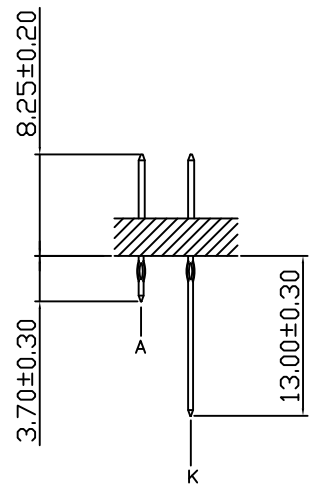
**Electrical Characteristics:**

Current Rating: 1 AMP.  
 Dielectric Withstanding Voltage: AC 750V For 1 minute.  
 Insulator Resistance: 10000MΩ min.at DC 500V.  
 Contact Resistance: 20mΩ max.at DC 100mA.  
 Operating Temperature: -55°C ~ +125°C.

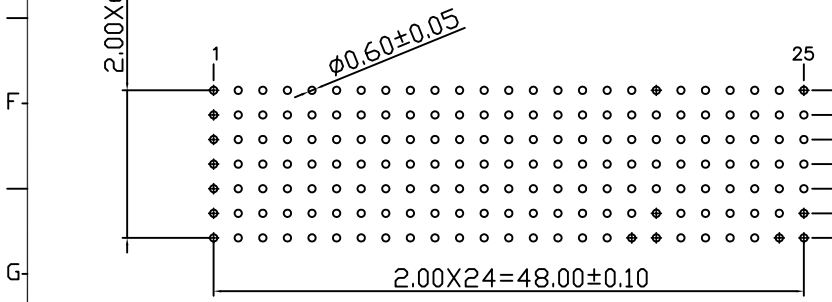
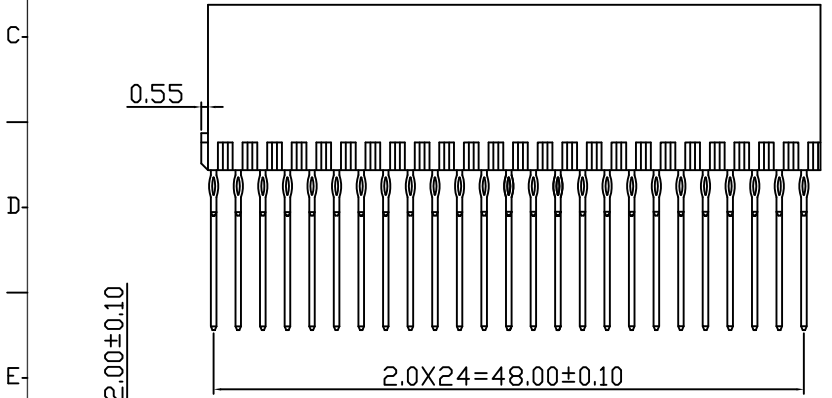
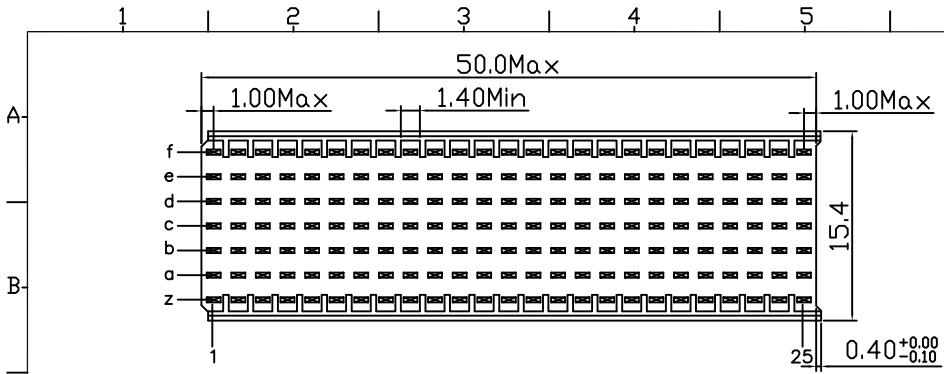
**\*RoHS Compliant**



CONTACT LAYOUT



9111- 7 1 B 175 U C xx U  
 Series 7Row 1: Male B: Type B Housing Type U: U Option  
 U: Tube Package  
 10: 10 u"  
 30: 30 u"  
 C: Dip Tin  
 Contact Gold  
 G: Gold



P.C. Board Layout  
 (Top View)

Tolerances	Dwg. No.	9111D71120		Title:	
x = ±0.5	Projection	⊕ ⊚		9111 Series	
.x = ±0.25	Unit	mm	Scale	2.00 Hard Metric	
.xx = ±0.15	Drawn By	Zhu QL 0815'12		Connectors Male	
				Type B-25	

9111 Series  
 2.00 Hard Metric  
 Connectors Male  
 Type B-25

<b>OUPIN</b>			
OUPIN ELECTRONIC(KUNSHAN) CO., LTD.			
P/N: 9111-71B175UCxxU			
SHEET	1/1	Ver.No.	R1