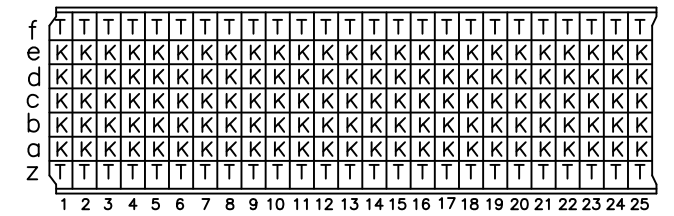
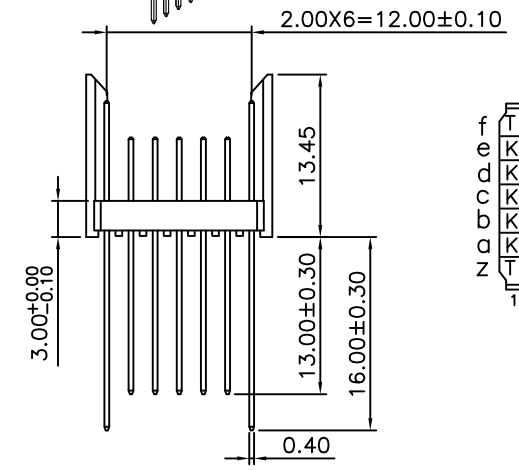
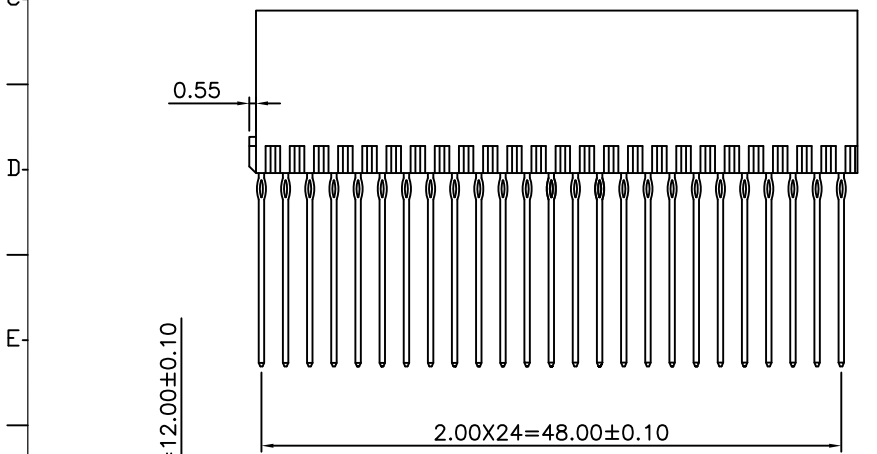


REV.	SPECIFICATION	ECN NO.	APPD.
R1			

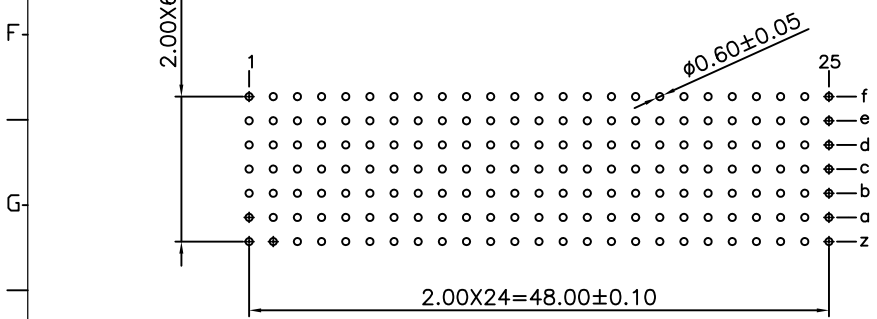
Material:
Housing: Thermoplastic Polyester Glass Filled UL94V-0
Contacts: Copper Alloy.

Electrical Characteristics:
Current Rating: 1 AMP.
Dielectric Withstanding Voltage: AC 750V For 1 minute.
Insulator Resistance: 10000MΩ min.at DC 500V.
Contact Resistance: 20mΩ max.at DC 100mA.
Operating Temperature: -55°C ~ +125°C.

***RoHS Compliant**

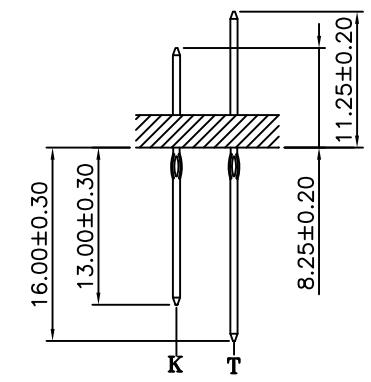


CONTACT LAYOUT



P.C. Board Layout
(Top View)

9111- 7 1 B 175 F C xx U
Series: 9111- 7 1 B 175 F C xx U
7Row: 7Row
1: Male
B: Type B
Housing Type: F: F Option
U: Tube Package
10: 10 u"
30: 30 u"
C: Dip Tin
Contact Gold
G: Gold



Tolerances	Dwg. No.	9111D71044	Title:		9111 Series 2.00 Hard Metric Connectors Male Type B-25	 OUPIIN ELECTRONIC(KUNSHAN) CO., LTD.			
x = ±0.5	Projection		P/N: 9111-71B175FCxxU						
.x = ±0.25	Unit	mm				Scale	1:1	SHEET	1/1
.xx = ±0.15	Drawn By	Zhu QL 08/15'12							