

P.C. Board Layout
(Top View)

9111- 7 1 B 133 E C xx U
 Series: 7Row, 1: Male, B: Type B, Housing Type, E:E Option
 U: Tube Package, 10: 10 u", 30: 30 u", C: Dip Tin, Contact Gold, G: Gold

REV.	SPECIFICATION	ECN NO.	APPD.
R1			

Material:

Housing: Thermoplastic Polyester Glass Filled UL94V-0
 Contacts: Copper Alloy.

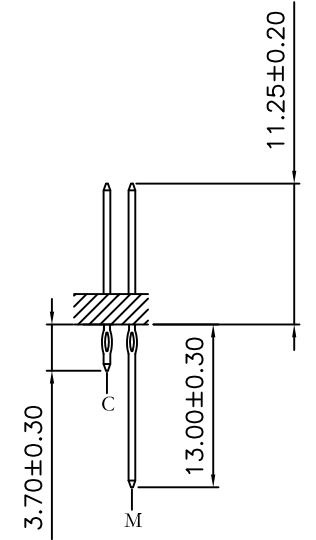
Electrical Characteristics:

Current Rating: 1 AMP.
 Dielectric Withstanding Voltage: AC 750V For 1 minute.
 Insulator Resistance: 10000MΩ min.at DC 500V.
 Contact Resistance: 20mΩ max.at DC 100mA.
 Operating Temperature: -55°C ~ +125°C.

***RoHS Compliant**

f	M	M	M	M	M	M	M	M	M	M	M	M	M	M	M	M	M	M	
e	C	C	C	C	C	C	C	C	C	C	C	C	C	C	C	C	C	C	
d	C	C	C	C	C	C	C	C	C	C	C	C	C	C	C	C	C	C	
c	C	C	C	C	C	C	C	C	C	C	C	C	C	C	C	C	C	C	
b	C	C	C	C	C	C	C	C	C	C	C	C	C	C	C	C	C	C	
a	C	C	C	C	C	C	C	C	C	C	C	C	C	C	C	C	C	C	
z	M	M	M	M	M	M	M	M	M	M	M	M	M	M	M	M	M	M	
	1	2	3	4	5	6	7	8	9	10	11	12	13	14	15	16	17	18	19

CONTACT LAYOUT



Tolerances	Dwg. No.	9111D71029		Title:	9111 Series	
x = ±0.5	Projection			Hard Metric Connector		 OUPIIN ELECTRONIC(KUNSHAN) CO., LTD. P/N: 9111-71B133ECxxU
.x = ±0.25	Unit	mm	Scale	1:1		
.xx = ±0.15	Drawn By	Zhu QL 08/02'12		Male Type B-19		

9111 Series
 Hard Metric Connector
 Male Type B-19

SHEET	1/1	Ver.No.	R1
--------------	-----	----------------	----