

REV.	SPECIFICATION	ECN NO.	APPD.
R1			

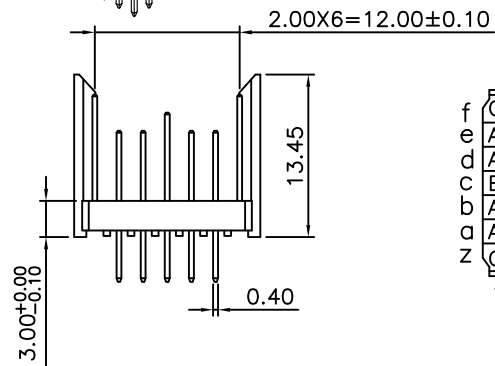
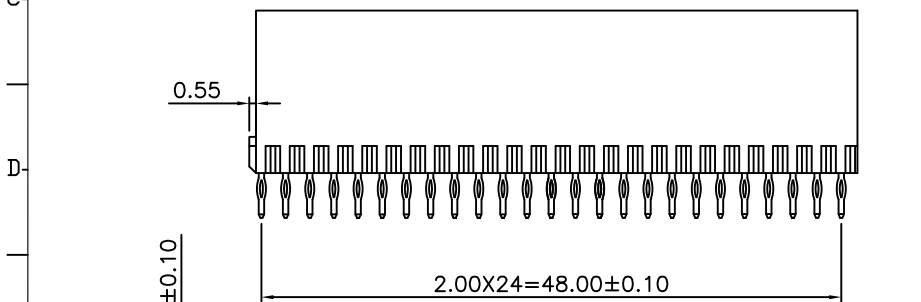
**Material:**

Housing: Thermoplastic Polyester Glass Filled UL94V-0  
 Contacts: Copper Alloy.

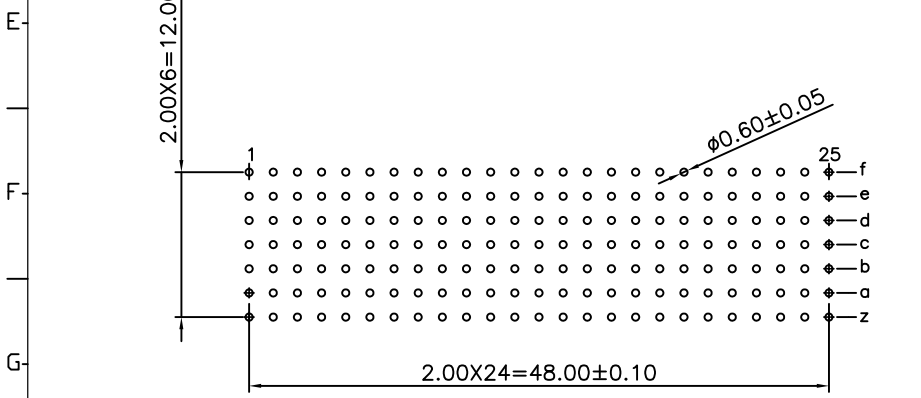
**Electrical Characteristics:**

Current Rating: 1 AMP.  
 Dielectric Withstanding Voltage: AC 750V For 1 minute.  
 Insulator Resistance: 10000M $\Omega$  min.at DC 500V.  
 Contact Resistance: 20m $\Omega$  max.at DC 100mA.  
 Operating Temperature: -55°C ~ +125°C.

**\*RoHS Compliant**

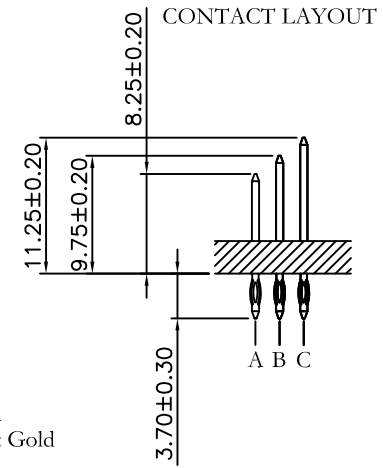


f	C	C	C	C	C	C	C	C	C	C	C	C	C	C	C	C	C	C	C	C	C	C	C	C	C
e	A	A	A	A	A	A	A	A	A	A	A	A	A	A	A	A	A	A	A	A	A	A	A	A	A
d	A	A	A	A	A	A	A	A	A	A	A	A	A	A	A	A	A	A	A	A	A	A	A	A	
c	B	B	B	B	B	B	B	B	B	B	B	B	B	B	B	B	B	B	B	B	B	B	B	B	
b	A	A	A	A	A	A	A	A	A	A	A	A	A	A	A	A	A	A	A	A	A	A	A	A	
a	A	A	A	A	A	A	A	A	A	A	A	A	A	A	A	A	A	A	A	A	A	A	A	A	
z	C	C	C	C	C	C	C	C	C	C	C	C	C	C	C	C	C	C	C	C	C	C	C	C	
	1	2	3	4	5	6	7	8	9	10	11	12	13	14	15	16	17	18	19	20	21	22	23	24	25



P.C. Board Layout  
(Top View)

9111- 7 1 B 175 M C xx U  
 Series 7Row 1: Male B: Type B Housing Type M: M Option U: Tube Package  
 10: 10 u" 30: 30 u" C: Dip Tin Contact Gold G: Gold



Tolerances	Dwg. No.	9111D71054		Title:
x = ±0.5	Projection	⊕ ↗		9111 Series 2.00 Hard Metric Connectors Male Type B-25
.x = ±0.25	Unit mm	Scale	1:1	
.xx = ±0.15	Drawn By	Zhu QL 08/15'12		

<b>OUPIN</b>			
OUPIN ELECTRONIC(KUNSHAN) CO., LTD.			
P/N: 9111-71B175MCxxU			
SHEET	1/1	Ver.No.	R1