

REV.	SPECIFICATION	ECN NO.	APPD.
R1			

Material:

Housing: Thermoplastic Polyester Glass Filled UL94V-0
 Contacts: Copper Alloy.

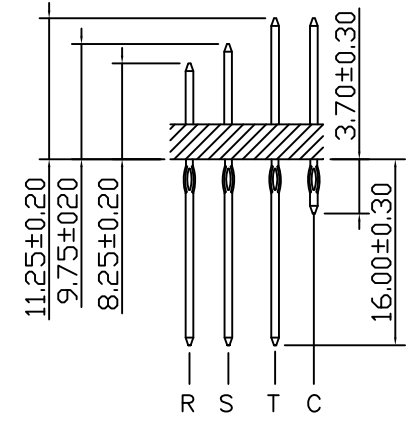
Electrical Characteristics:

Current Rating: 1 AMP.
 Dielectric Withstanding Voltage: AC 750V For 1 minute.
 Insulator Resistance: 10000MΩ min.at DC 500V.
 Contact Resistance: 20mΩ max.at DC 100mA.
 Operating Temperature: -55°C ~ +125°C.

***RoHS Compliant**

f	T	T	T	T	T	T	T	T	T	T	C	T	T	T	T	T	T	T	T	T		
e	R	R	R	R	R	R	R	R	R	R	R	R	R	R	R	R	R	R	S	S	S	S
d	R	R	R	R	R	R	R	R	R	R	R	R	R	R	R	R	R	R	S	S	S	S
c	R	R	R	R	R	R	R	R	R	R	R	R	R	R	R	R	R	R	S	S	S	S
b	R	R	R	R	R	R	R	R	R	R	R	R	R	R	R	R	R	R	S	S	S	S
a	R	R	R	R	R	R	R	R	R	R	R	R	R	R	R	R	R	R	S	S	S	S
z																						
	1	2	3	4	5	6	7	8	9	10	11	12	13	14	15	16	17	18	19	20	21	22

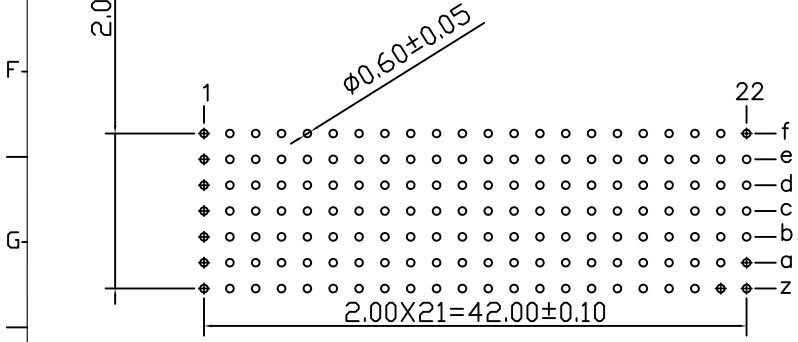
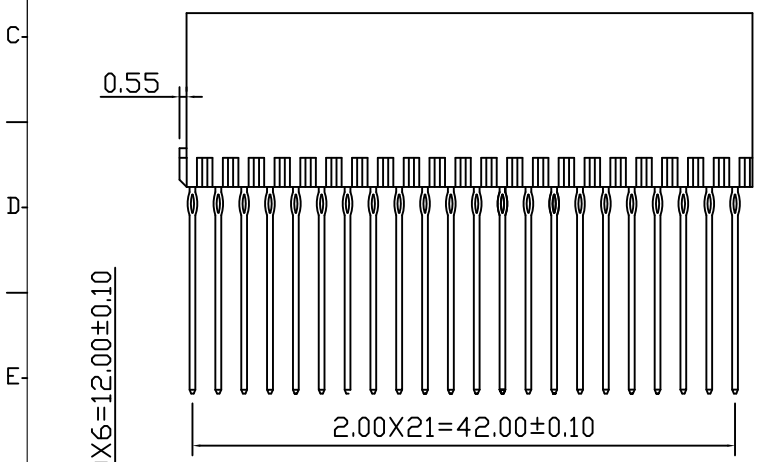
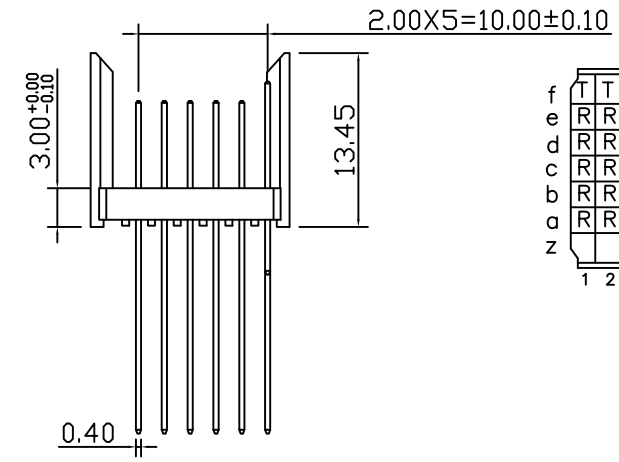
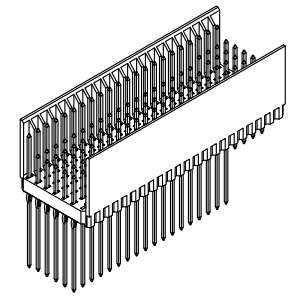
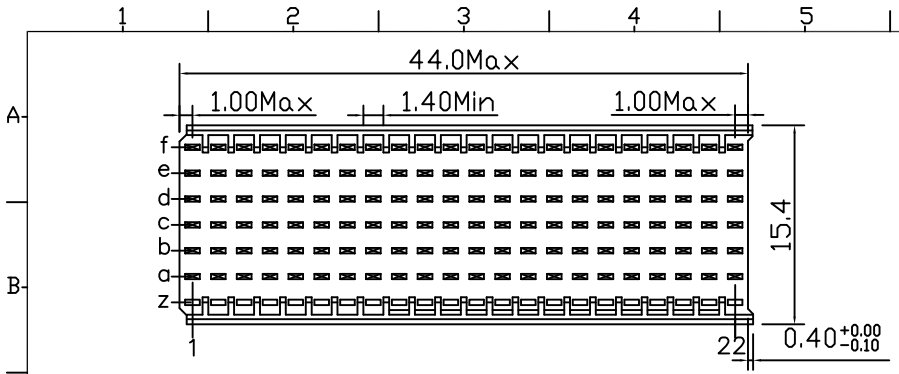
CONTACT LAYOUT



9111- 7 1 B 154 K C xx U
 Series 7 Row 1 Male B: Type B Housing Type K: K Option
 U: Tube Package
 10: 10 u"
 30: 30 u"
 C: Dip Tin Contact Gold
 G: Gold

Tolerances	Dwg. No.	9111D71128		Title:	
x = ±0.5	Projection	⊕ ⊖		9111 Series	
.x = ±0.25	Unit	mm	Scale	2.00 Hard Metric	
.xx = ±0.15	Drawn By	Zhu QL	08/15'12	Connectors Male	
				Type B-22	

OUPIN
 OUPIN ELECTRONIC(KUNSHAN) CO., LTD.
 P/N: 9111-71B154KCxxU
 SHEET 1/1 Ver.No. R1



P.C. Board Layout
 (Top View)