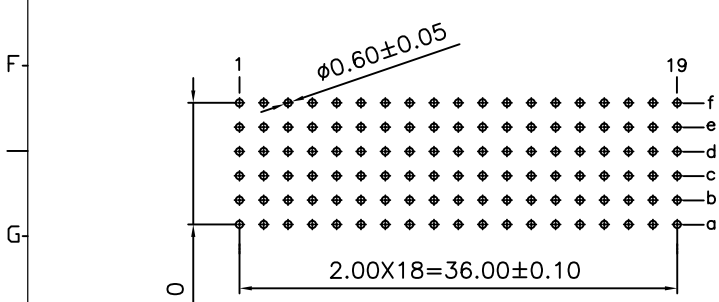
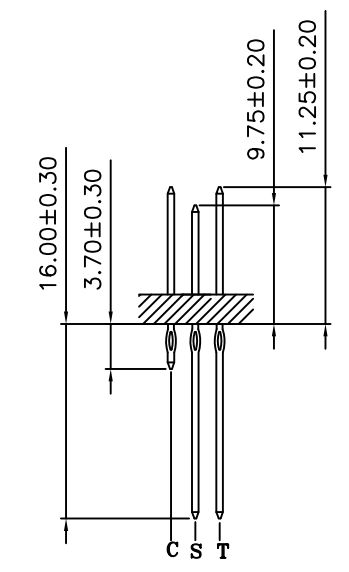


f	T	T	T	T	T	T	T	C	C	C	T	T	T	T	T	T	T		
e	S	S	S	S	S	S	S	S	S	S	S	S	S	S	S	S	S		
d	S	S	S	S	S	S	S	S	S	S	S	S	S	S	S	S	S		
c	S	S	S	S	S	S	S	S	S	S	S	S	S	S	S	S	S		
b	S	S	S	S	S	S	S	S	S	S	S	S	S	S	S	S	S		
a	S	S	S	S	S	S	S	S	S	S	S	S	S	S	S	S	S		
z																			
	1	2	3	4	5	6	7	8	9	10	11	12	13	14	15	16	17	18	19

CONTACT LAYOUT



9111- 7 1 B 133 F C xx U  
 Series Package  
 7Row 1: Male  
 B: Type B  
 Housing Type  
 F:F Option  
 U: Tube  
 Package  
 10: 10 u"  
 30: 30 u"  
 C: Dip Tin  
 Contact Gold  
 G: Gold



REV.	SPECIFICATION	ECN NO.	APPD.
R1			

**Material:**  
 Housing: Thermoplastic Polyester Glass Filled UL94V-0  
 Contacts: Copper Alloy.

**Electrical Characteristics:**  
 Current Rating: 1 AMP.  
 Dielectric Withstanding Voltage: AC 750V For 1 minute.  
 Insulator Resistance: 10000MΩ min.at DC 500V.  
 Contact Resistance: 20mΩ max.at DC 100mA.  
 Operating Temperature: -55°C ~ +125°C.

**\*RoHS Compliant**

Tolerances	Dwg. No.	9111D71030		Title:
x = ±0.5	Projection	⊕ ⊖		9111 Series 2.00 Hard Meterlc Connectors Male Type B-19
.x = ±0.25	Unit mm	Scale	1:1	
.xx = ±0.15	Drawn By	Zhu QL 08/15'12		

Title: 9111 Series  
2.00 Hard Meterlc  
Connectors Male  
Type B-19

<b>OUPIN</b>			
OUPIN ELECTRONIC(KUNSHAN) CO., LTD.			
P/N: 9111-71B133FCxxU			
SHEET	1/1	Ver.No.	R1