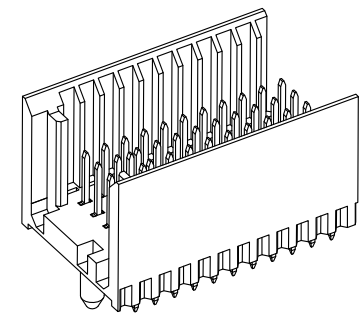
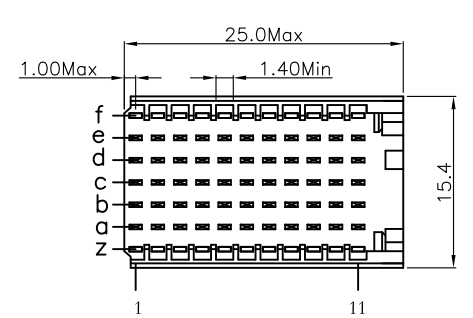
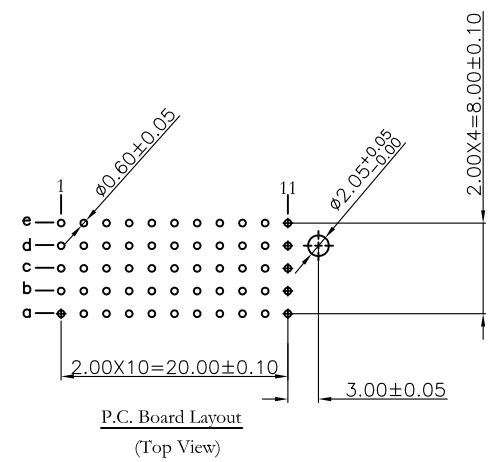
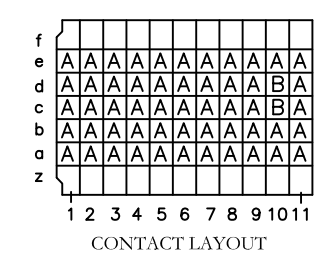
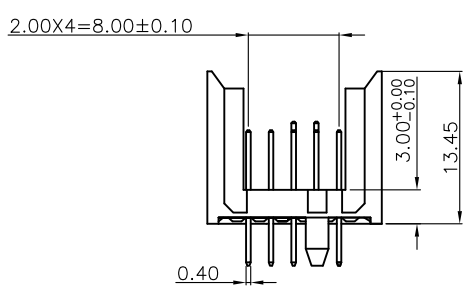
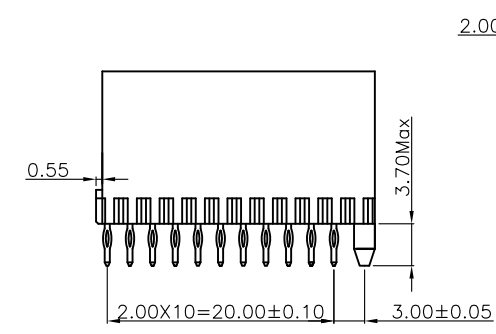


REV.	SPECIFICATION	ECN NO.	APPD.
R1			



**Material:**  
Housing: Thermoplastic Polyester Glass Filled UL94V-0  
Contacts: Copper Alloy

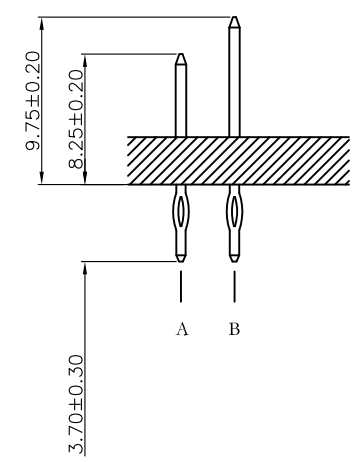
**Electrical Characteristics:**  
Current Rating: 1 AMP.  
Dielectric Withstanding Voltage: AC 750V For 1 minute.  
Insulator Resistance: 10000MΩ min. at DC 500V.  
Contact Resistance: 20mΩ max. at DC 100mA.  
Operating Temperature: -55°C~+125°C .  
**\*RoHS Compliant**



9111- 7 1 C 77 O C xx U

Series: 7Row, 1: Male, C: Type C, O: O Option

U: Tube Package  
10: 10 u"  
30: 30 u"  
C: Dip Tin  
Contact Gold  
G: Gold



<b>Tolerances</b> x = ±0.5 .x = ±0.25 .xx = ±0.15	<b>Dwg. No.</b>	9111D71170		<b>Title:</b> 9111 Series Hard Metric Connector Male Type C	 <b>OUPIN ELECTRONIC(KUNSHAN) CO., LTD.</b> P/N: 9111-71C77OCxxU	
	<b>Projection</b>					
	<b>Unit</b>	mm	<b>Scale</b>			1:1
	<b>Drawn By</b>	Zhu QL 08/04'12				<b>SHEET</b>
					<b>Ver.No.</b>	R1