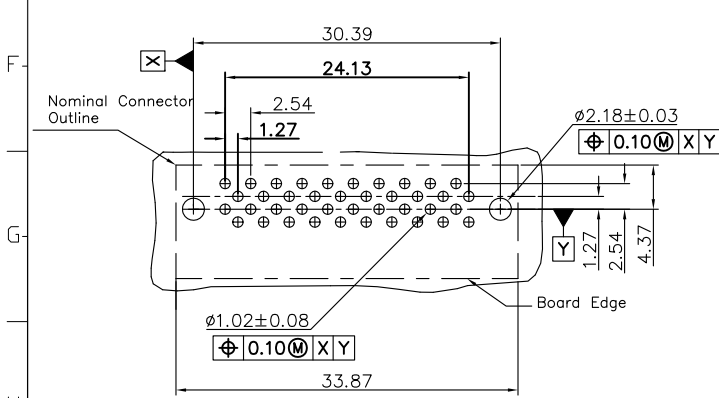
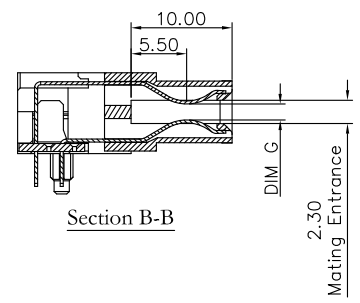
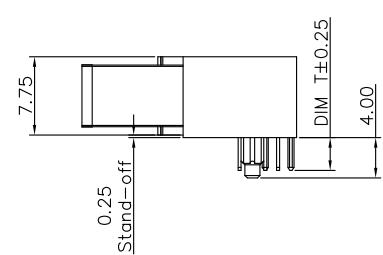
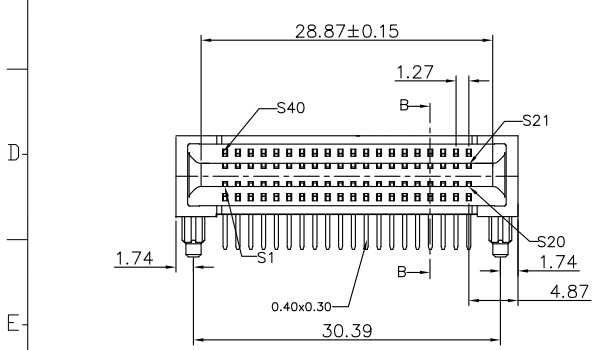
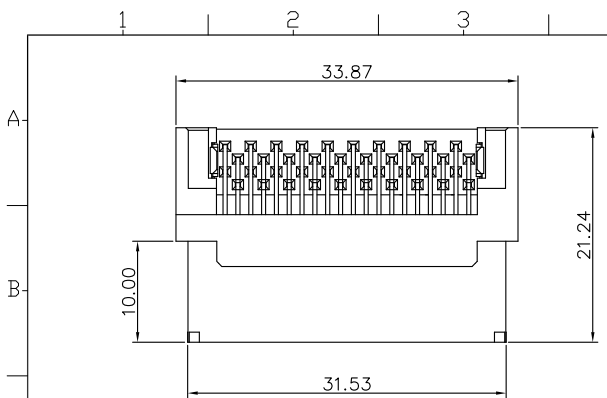


REV.	SPECIFICATION	ECN NO.	APPD.
------	---------------	---------	-------



P.C. Board Layout  
(Tolerance:±0.05)

**Material:**  
**Housing:** High Temperature Plastic UL94V-0 .  
**Contacts:** Copper Alloy.  
**Electrical Characteristics:**  
**Current Rating:** Signal Pin 1.5A.  
Power Pin 12.5A(UL).  
**Dielectric Withstanding Voltage:**  
Signal Pin DC 500V For 1 Minute.  
Power Pin DC 1000V For 1 Minute.  
**Contact Resistance:** Signal Pin 25mΩ max.  
Power Pin 0.6mΩ max.  
**Insulator Resistance:**Signal Pin 500MΩ min.at DC 500V  
Power Pin 5000MΩ min.at DC 500V  
**Operating Temperature:** -55°C~+105°C.  
**\*Rohs Compliant**  
**Note:**  
Mate with: Edge Card Thickness 2.30 mm.

**Note:**  
Single Ended:  
Insertion Loss:-3dB@1.5625GHz  
Return Loss:-5dB@1.5625GHz  
NEXT Crosstalk:<-25dB to 1.5625GHz  
Differential:  
Insertion Loss:-3dB@3.125GHz  
Return Loss:-5dB@3.125GHz  
NEXT Crosstalk:<-30dB to 3.125GHz

9302- 4 S40 P 1 2 A CB 30 D A  
Series 4:Female Right-angle S40:Signal Pin P:With Post N:W/O Post 1:DIM T= 3.25mm 2:DIM T= 2.60mm  
A:Tray Package D:Dip Type 30: 30 u" CB:Dip Tin Contact Au+Pd/Ni  
A : Signal Pitch 1.27mm B : Signal Pitch 2.54mm  
1:DIM G(GAP)=1.10mm. 2:DIM G(GAP)=1.80 mm.

Tolerances	Dwg. No.	9302-D0000-002		Title:		 <b>OUPIIN ELECTRONIC(KUNSHAN) CO., LTD.</b> P/N: 9302-4S40P12ACB30DA SHEET 1/1 Ver. No. X3			
x = ±0.5	Projection			9302 Series					
.x = ±0.25	Unit	mm	Scale	1:1	High Power Card Edge				
.xx = ±0.15	Drawn By	ZJJ	03/20'13						