

REV.	SPECIFICATION	ECN NO.	APPD.
R2		ECN20534	

Material and Plating:

Housing: LCP, UL94V-0 , Black.

Power Contacts: High Conductivity Copper.
30u"Au+Pd/Ni on Contact Area and 80u" Min Tin Plated on Press Fit over 50u" Min Nickel.

Signal Contacts : Phosphor Bronze.
30u"Au+Pd/Ni on Contact Area and 80u" Min Tin Plated on Press Fit over 50u" Min Nickel.

Electrical Characteristics:

Current Rating: Signal Pin: 2.5 A.

Power Pin: 90A Single Port (UL)(2oz x 6).

Dielectric Withstanding Voltage:

Signal Pin DC 1000V For 1 minute.

Power Pin DC 2500V For 1 minute.

Insulator Resistance: Signal Pin 500MΩ max.

Power Pin 1000MΩ max.

Contact Resistance: Signal Pin 20mΩ max.

Power Pin 0.7mΩ max.

Operating Temperature: -40°C ~+125°C .

*RoHS Compliant

Notes :

H: High density Power---PCB Mount 5.08mm Pitch

P: DC Power---PCB Mount 6.35mm Pitch

A: AC Power---PCB Mount 7.62mm Pitch

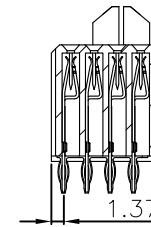
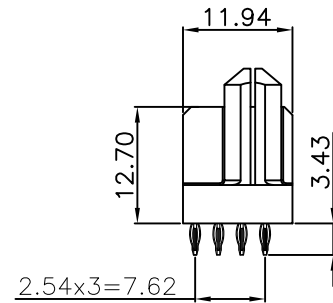
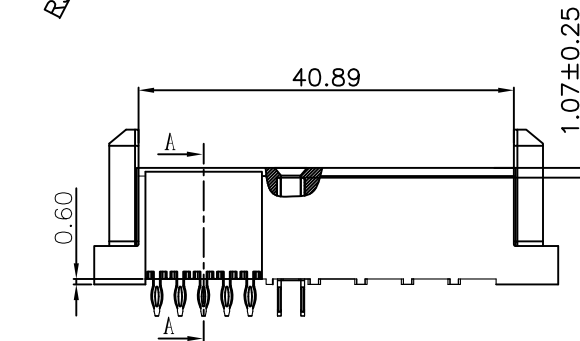
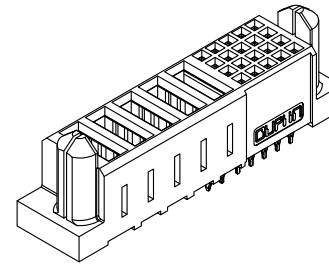
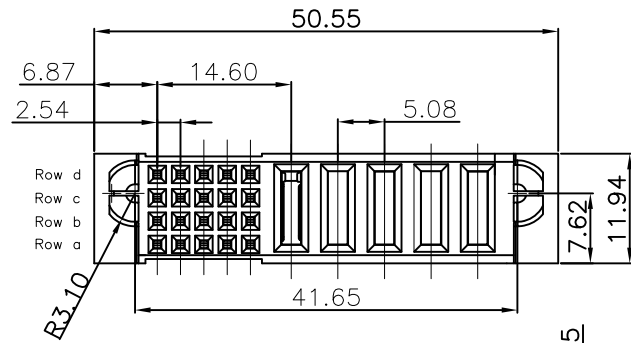
S: Signal---PCB Mount 2.54mm Pitch

Note 2:

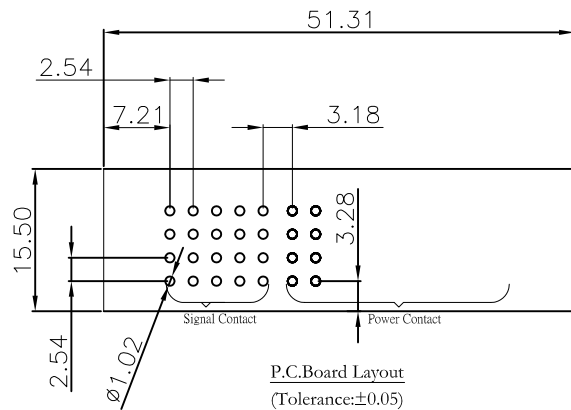
P1, P2 ,P3,P4Without Power Contact

ROWS	SIGNAL				POWER				
	5	4	3	2	P5	P4	P3	P2	P1
D	L	L	L	L	FS				
C	L	L	L	L					
B	L	L	L	L					
A	L	L	L	L					

POWER CONTACT TO THE TOP DISTANCE 1.78mm, THE MATING LENGTH 4.17mm	FL
POWER CONTACT TO THE TOP DISTANCE 2.34mm, THE MATING LENGTH 3.61mm	FM
POWER CONTACT TO THE TOP DISTANCE 1.07mm, THE MATING LENGTH 4.88mm	FS
SIGNAL CONTACT 3.43 SOLDER TAIL, PD/Ni	L



Section: A-A
Scale: 1:1



9303- 2 S20 H05 CB 30 P A -A018
 Series 2:Female Straight Internat Code
 Blank:Without Contact A:Tray Package
 Signal Contact: S xx P:Press Fit Type
 No. of position 30: 30 u"
 Blank: Without Contact CB: Dip Tin Plated
 Power Contact: Hxx,Pxx,Δxx Contact Au+Pd/Ni,Dip Tin
 No. of position

Tolerances	Dwg. No.	9303-D0000-080	Title:		 OUPIN ELECTRONIC(KUNSHAN) CO., LTD. P/N: 9303-2S20H05CB30PA-A018			
x = ±0.5	Projection		6303 Series					
.x = ±0.25	Unit	mm	Scale	1:1	Female Straight Press Fit Type			
.xx = ±0.15	Drawn By	XS 05/15'22			SHEET	1/1	Ver. No.	R2