

REV.	SPECIFICATION	ECN NO.	APPD.
R1		ECN200320	

Material and Plating:

Housing: LCP, UL94V-0, BLACK.
 Power Contacts: High Conductivity Copper.
 30u"Au+Pd/Ni on Contact Area and 80u" Min Tin Plated on Press Fit over nickel 50u" Min .
 Signal Contact: Phosphor Bronze.
 30u"Au+Pd/Ni on Contact Area and 80u" Min Tin Plated on Press Fit over nickel 50u" Min .

Electrical Characteristics:

Current Rating: Signal Pin 2.5 AMP.
 Power Pin 30 AMP.
 Dielectric Withstanding Voltage:
 Signal Pin DC 1000V For 1 minute.
 Power Pin DC 2500V For 1 minute.
 Insulator Resistance: Signal Pin 5000MΩ min. at DC 500V.
 Power Pin 20000MΩ min. at DC 500V.
 Contact Resistance: Signal Pin 15mΩ max. at DC 20mA.
 Power Pin 0.7mΩ max. at DC 20mA.
 Operating Temperature: -40°C ~+105°C .

***RoHS Compliant**

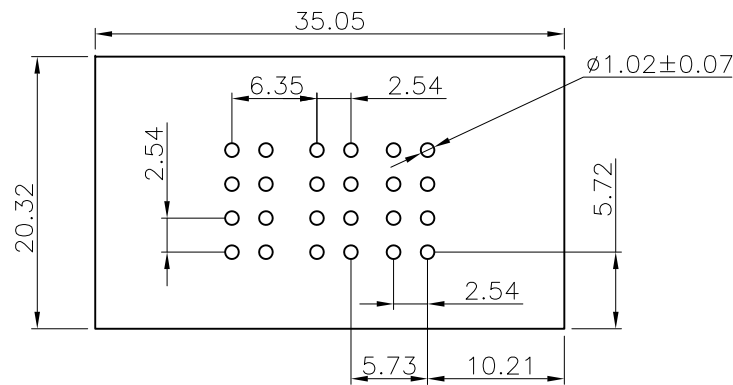
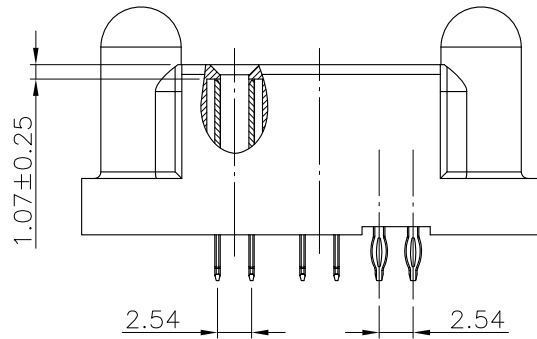
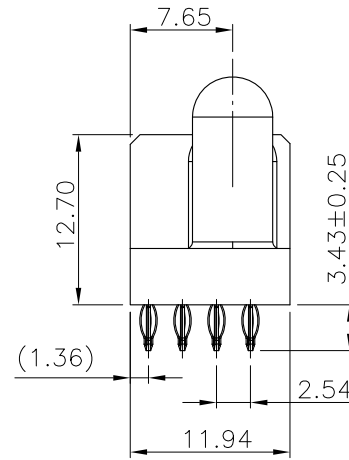
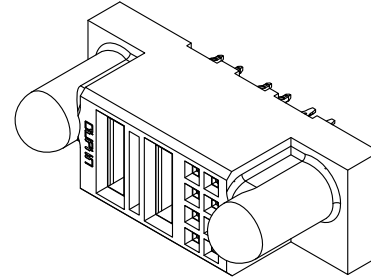
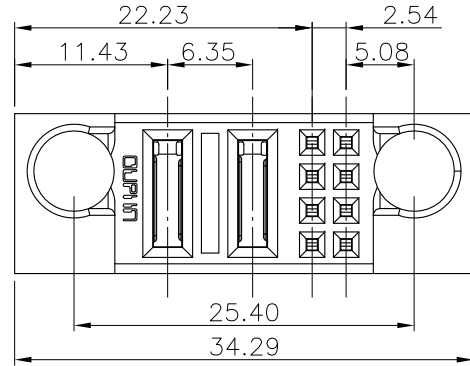
Notes :

H: High density Power---PCB Mount 5.08mm Pitch
 P: DC Power---PCB Mount 6.35mm Pitch
 A: AC Power---PCB Mount 7.62mm Pitch
 S: Signal---PCB Mount 2.54mm Pitch

ROWS		POWER		SIGNAL	
		P2	P1	2 1	
D				LL	
C	FS			LL	
B				LL	
A				LL	

POWER CONTACT TO THE TOP DISTANCE 2.34mm, THE MATING LENGTH 3.87mm	FM
POWER CONTACT TO THE TOP DISTANCE 1.07mm, THE MATING LENGTH 5.14mm	FS
SIGNAL CONTACT 3.43 SOLDER TAIL, PD/NI	L

9391-A 2 P02 S08 CB 30 P A
 Series: 9391-A
 2: Female Straight
 Power Contact: Hxx, Pxx, Axx
 No. of Position: 2
 Signal Contact: Sxx
 No. of Position: 8
 CB: Dip Tin Plated Contact Au+Pd/Ni Plated
 30: 30u"
 P: Press Fit Type
 A: Tray Package



P.C.Board Layout
 (Tolerance: ±0.05)

Tolerances	Dwg No.	9391-D0000-252	Title:
x. = ±0.50	Projection		9391-A Series Female Straight Press Fit Type
.x = ±0.25	Unit	mm	
.xx = ±0.15	Scale	1:1	
	Drawn By	bo-min 09/09'19	

OUPIN			
OUPIN ELECTRONIC(KUNSHAN) CO., LTD.			
P/N: 9391-A2P02S08CB30PA			
SHEET	1/1	Ver.No.	R1