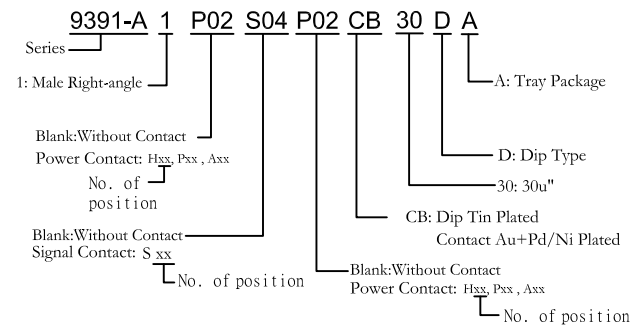
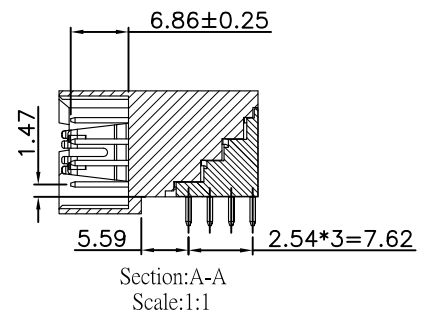
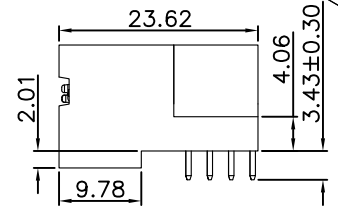
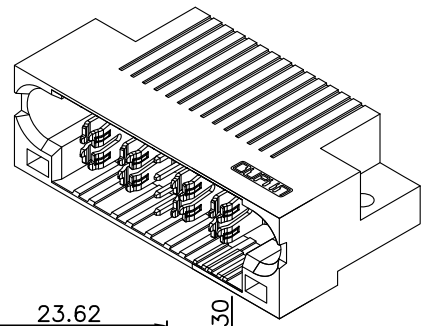


REV.	SPECIFICATION	ECN NO.	APPD.
X2			

**Material and Plating:**  
**Housing:** LCP, UL94V-0, BLACK.  
**Power Contacts:** High Conductivity Copper.  
 30u"Au+Pd/Ni on Contact Area and 80u" Min Tin Plated on Solder Tail over Nickel 50u" Min .  
**Signal Contact:** Brass.  
 30u"Au+Pd/Ni on Contact Area and 80u" Min Tin Plated on Solder Tail over Nickel 50u" Min .  
**Electrical Characteristics:**  
**Current Rating:** Signal Pin 2.5 AMP.  
 Power Pin 30 AMP.  
**Dielectric Withstanding Voltage:**  
 Signal Pin DC 1000V For 1 minute.  
 Power Pin DC 2500V For 1 minute.  
**Insulator Resistance:** Signal Pin 5000MΩ min. at DC 500V.  
 Power Pin 20000MΩ min. at DC 500V.  
**Contact Resistance:** Signal Pin 15mΩ max. at DC 20mA.  
 Power Pin 0.7mΩ max. at DC 20mA.  
**Operating Temperature:** -40°C ~+105°C .  
**\*RoHS Compliant**  
 Notes 1 :  
 H: High density Power---PCB Mount 5.08mm Pitch  
 P: DC Power---PCB Mount 6.35mm Pitch  
 A: AC Power---PCB Mount 7.62mm Pitch  
 S: Signal---PCB Mount 2.54mm Pitch  
 Notes 2 :  
 Contact Length is 6.86mm.

ROWS	POWER		SIGNAL	POWER	
	P1	P2	1	P3	P4
D	MS	MS	G	MS	MS
C			G		
B			G		
A			G		

SIGNAL PIN CONTACT LENGTH 4.32mm	H
SIGNAL PIN CONTACT LENGTH 5.59mm	E
SIGNAL PIN CONTACT LENGTH 7.05mm	F
SIGNAL PIN CONTACT LENGTH 6.86mm	G
HOT PLUG POWER CONTACT.STD	MS



Tolerances	Dwg. No.	9391-D0000-324		Title:	9391 Series Male Right-angle Dip Type		
x = ±0.5	Projection	⊕ ⊖		Drawn By	SH 07/16'20	Ⓢ	
.x = ±0.25	Unit	mm	Scale				1:1
.xx = ±0.15							

SHEET	1/1	Ver. No.	X2
-------	-----	----------	----

**OUPIN**  
**OUPIN ELECTRONIC(KUNSHAN) CO., LTD.**  
 P/N: 9391-A1P02S04P02CB30DA

