

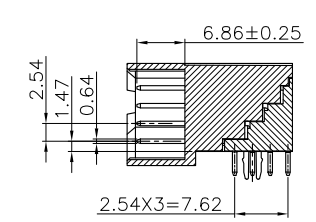
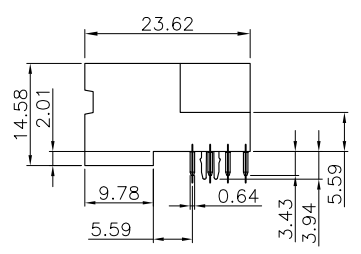
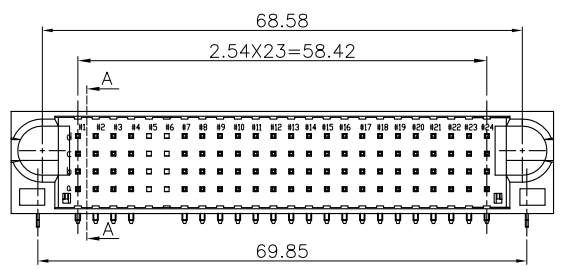
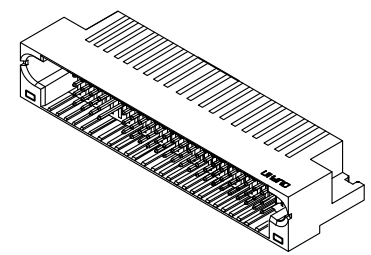
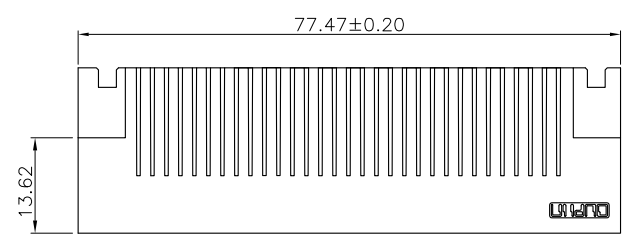
REV.	SPECIFICATION	ECN NO.	APPD.
R1		ECN191201	

Material and Plating:
Housing: LCP, UL94V-0, Black.
Signal Contacts : Brass
30u" Au+Pd/Ni on Contact Area and 80u" Min Tin Plated on Solder Tail over 50u" Min Nickel.
Lock: Phosphor Bronze .

Electrical Characteristics:
Current Rating: 2.5 AMP.
Dielectric Withstanding Voltage: DC 1000V For 1 minute.
Insulator Resistance: 5000MΩ min. at DC 500V.
Contact Resistance: 15mΩ max. at DC 20mA.
Operating Temperature: -40°C ~+105°C .

***RoHS Compliant**

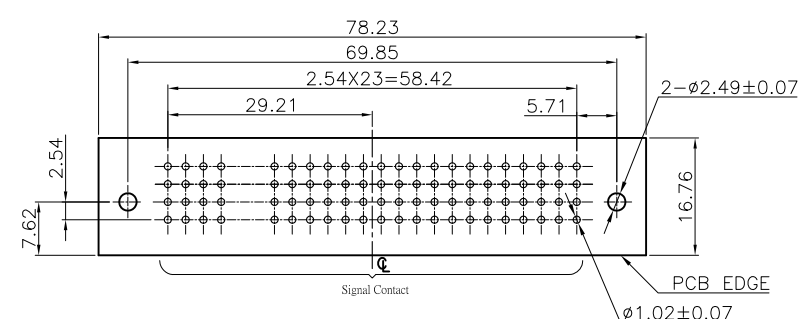
Notes :
a5, a6, b5, b6, c5, c6, d5, d6 without Contact.



ROWS	SIGNAL																							
	1	2	3	4	5	6	7	8	9	10	11	12	13	14	15	16	17	18	19	20	21	22	23	24
D	G	G	G	G	G	G	G	G	G	G	G	G	G	G	G	G	G	G	G	G	G	G	G	G
C	G	G	G	G	G	G	G	G	G	G	G	G	G	G	G	G	G	G	G	G	G	G	G	G
B	G	G	G	G	G	G	G	G	G	G	G	G	G	G	G	G	G	G	G	G	G	G	G	G
A	G	G	G	G	G	G	G	G	G	G	G	G	G	G	G	G	G	G	G	G	G	G	G	G

SIGNAL PIN CONTACT LENGTH 6.86mm G

Section:A-A
Scale:1:1



P.C.Board Layout
(Tolerance:±0.05)

9391-A 1 S96 CB 30 D L A -A033

Series ————
1: Male Right-angle
Blank: Without Contact
Signal Contact: S xx
No. of position ————
CB: Dip Tin Plated
Contact Au+Pd/Ni Plated

Internal Code
A: Tray Package
Blank: Without Lock
L: With Lock
D: Dip Type
30: 30u"

Tolerances	Dwg. No.	9391-D0000-276	Title:		 OUPIIN ELECTRONIC(KUNSHAN) CO., LTD. P/N: 9391-A1S96CB30DLA-A033			
x = ±0.5	Projection		9391 Series					
.x = ±0.25	Unit	mm	Scale	1:1	SHEET	1/1	Ver. No.	R1
.xx = ±0.15	Drawn By	WJ 11/21'19	Male Right-angle Dip Type					