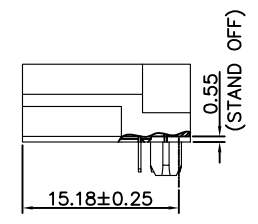
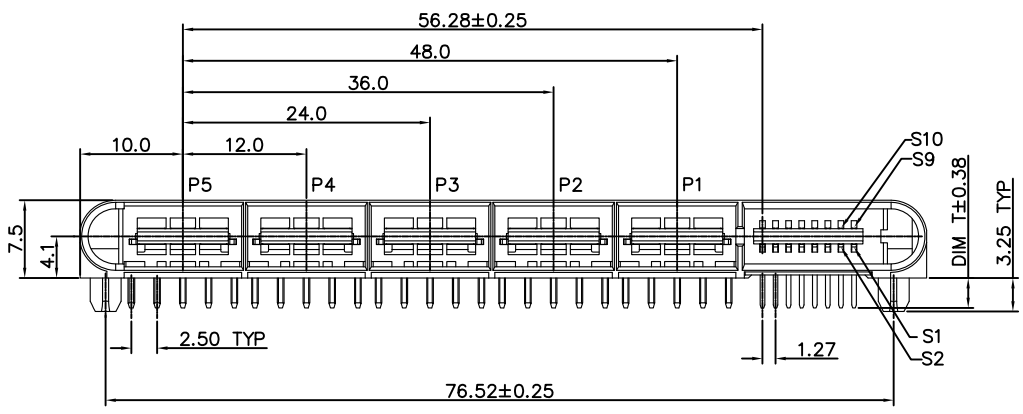
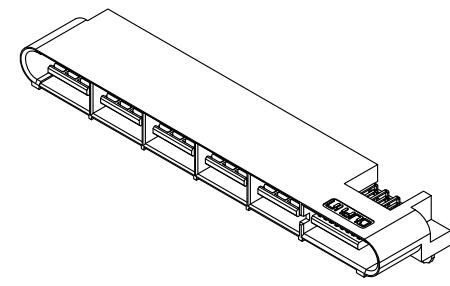
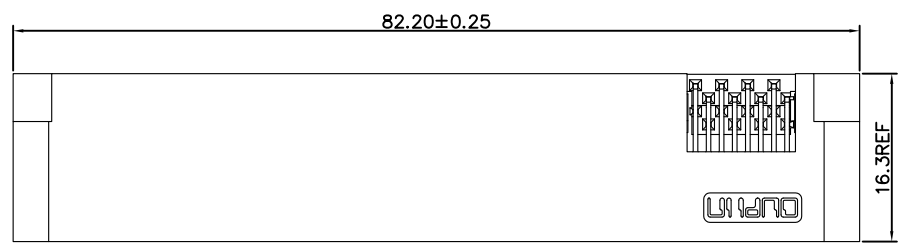


REV.	SPECIFICATION	ECN NO.	APPD.
R3		ECN230636	

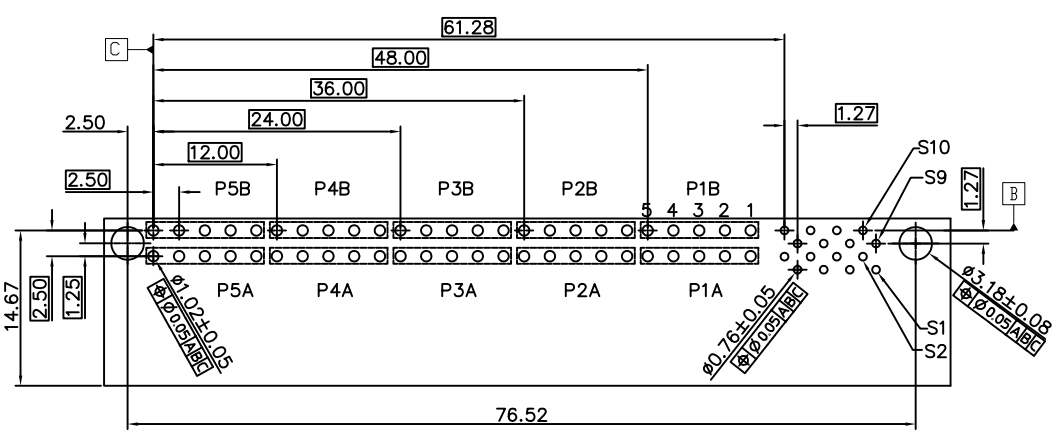


Material and Plating:

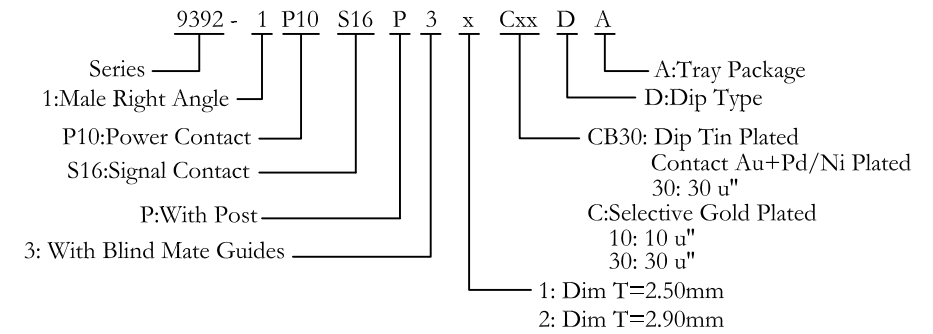
Housing: LCP, UL94V-0, BLACK.
 Cover: LCP, UL94V-0, BLACK.
 Power Contacts: High Conductivity Copper.
 Gold Plated or Au+Pd/Ni on Contact Area and 80u" Min Tin Plated on Solder Tail over nickel 50u" Min .
 Signal Contacts : Brass.
 Gold Plated or Au+Pd/Ni on Contact Area and 80u" Min Tin Plated on Solder Tail over nickel 50u" Min .

Electrical Characteristics:

Current Rating: Signal Pin 1.0 AMP.
 Power Pin 30 AMP.
 Insulator Resistance: Signal:1000MΩ min. at DC 500V.
 Power:5000MΩ min. at DC 500V.
 Dielectric Withstanding Voltage:
 Signal Pin DC 500V For 1 minute.
 Power Pin DC 1000V For 1 minute.
 Contact Resistance: Signal Pin 45mΩ max. at DC 20mA.
 Power Pin 5.0mΩ max. at DC 20mA.
 Operating Temperature: -40°C ~+105°C .
***RoHS Compliant**



P.C.Board Layout
(Tolerance:±0.05)



Tolerances	Dwg. No.	9392-D0000-057		Title:	
x = ±0.5	Projection			9392 Series Low Profile Hybrid Power Plug	
.x = ±0.25	Unit	mm	Scale		1:1
.xx = ±0.15	Drawn By	JCQ	06/27'23		

OUPIN ELECTRONIC(KUNSHAN) CO., LTD.			
P/N: 9392-1P10S16P3xCxxDA			
SHEET	1/1	Ver. No.	R3