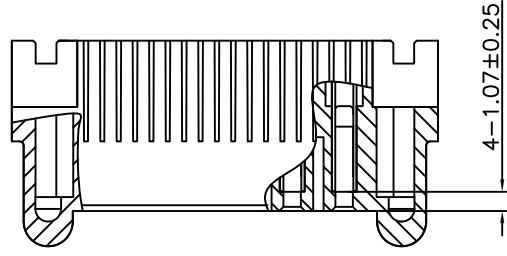
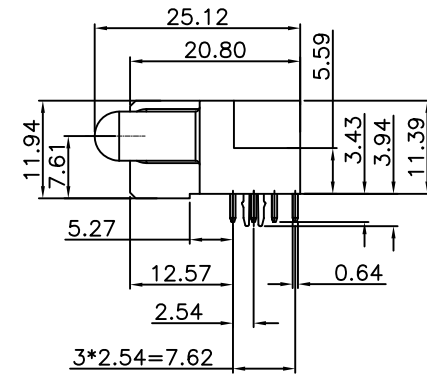
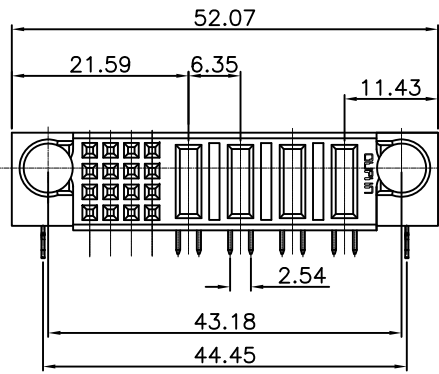


REV.	SPECIFICATION	ECN NO.	APPD.
R1		ECN170313	

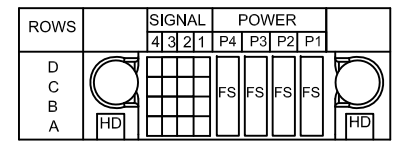


Material and Plating:
Housing: LCP, UL94V-0, BLACK.
Power Contacts: High Conductivity Copper.
 30u" Au+Pd/Ni on Contact Area and 80u" Min Tin Plated on Solder Tail over Nickel 50u" Min.
Lock: Phosphor Bronze.
Electrical Characteristics:
Current Rating: Power Pin 30 AMP.
Dielectric Withstanding Voltage: Power Pin DC 2500V For 1 minute.
Insulator Resistance: Power Pin 20000MΩ min. at DC 500V.
Contact Resistance: Power Pin 0.7mΩ max. at DC 20mA.
Operating Temperature: -40°C ~+105°C.
***RoHS Compliant**

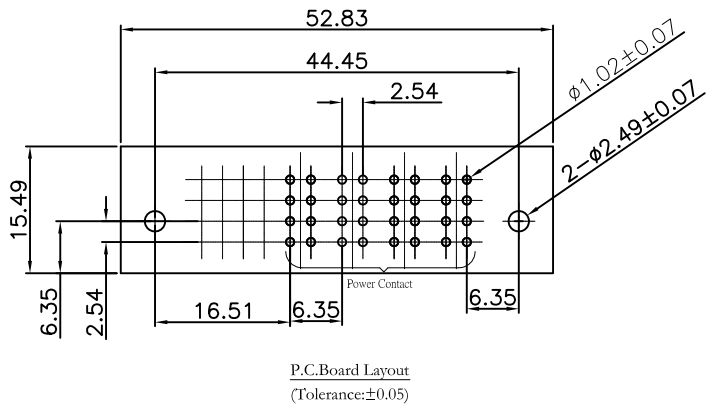


Notes 1:
 H: High density Power---PCB Mount 5.08mm Pitch
 P: DC Power---PCB Mount 6.35mm Pitch
 A: AC Power---PCB Mount 7.62mm Pitch

Notes 2:
 Signal Without Contact.



POWER CONTACT TO THE TOP DISTANCE 2.34mm, THE MATING LENGTH 4.06mm	FM
POWER CONTACT TO THE TOP DISTANCE 1.07mm, THE MATING LENGTH 5.33mm	FS



9391-A 4 S16 P04 CB 30 D L A -A009

Series: 9391-A
 4: Female Right-angle
 Blank: Without Contact
 Signal Contact: Sxx
 No. of position: xx

Blank: Without Contact
 Power Contact: Hxx, Pxx, Axx
 No. of position: xxx

CB: Dip Tin Plated
 Contact Au+Pd/Ni Plated

D: Dip Type
 30: 30u"

A: Tray Package
 Blank: Without Lock
 L: With Lock

Interanal Code: A009

Tolerances	Dwg. No.	9391-D0000-189	Title:		 OUPIN ELECTRONIC(KUNSHAN) CO., LTD. P/N:9391-A4S16P04CB30DLA-A009			
x = ±0.5	Projection		9391 Series					
.x = ±0.25	Unit	mm	Scale	1:1	SHEET	1/1	Ver. No.	R1
.xx = ±0.15	Drawn By	LQ 03/07'17						