

歐品電子(昆山)有限公司

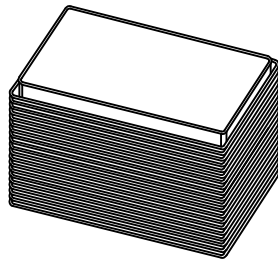
OUPIIN ELECTRONIC(KUNSHAN) CO.,LTD.

PACKAGING SPECIFICATION (包裝作業規範)

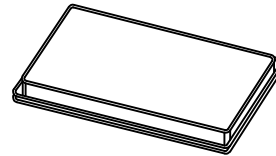
SPEC.NO.(規範編號)	3012SPP	適用產品: 3012-AxxG00RBA	PAGE	1/1	REV.	I535
----------------	---------	----------------------	------	-----	------	------

PACKING OPERATION DIAGRAM & INSTRUCTION (包裝作業圖示及說明)

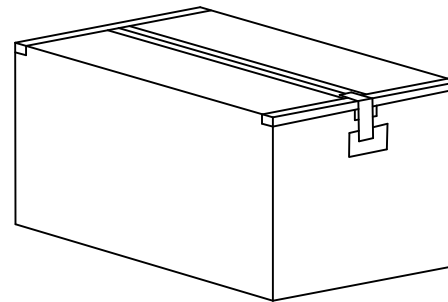
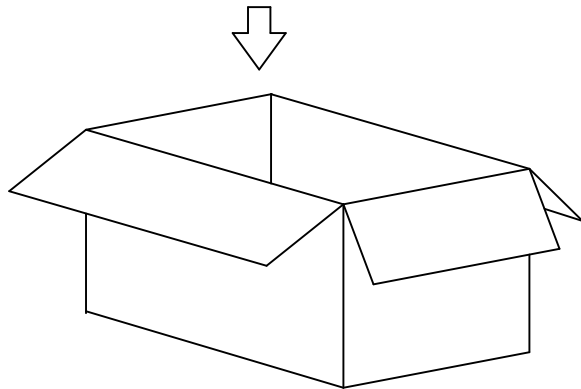
REMARK (備註)



25 Tray/Carton



Tray: 310(mm)X265(mm)X15(mm)



Carton: 320(mm)X285(mm)X385(mm)

Packing:

Positions	Pcs/Tray	Tray/ Carton	Psc/ Carton	Carton: N.W: kg	Carton: G.W: kg
6	360	25	9000	10.8	12.3
8	300	25	7500	10.7	12.2
10	260	25	6500	10.8	12.3
12	240	25	6000	11.8	13.3
14	200	25	5000	11.6	13.1
16	180	25	4500	10.9	12.4
20	160	25	4000	11.0	12.5
24	140	25	3500	11.7	13.2
26	120	25	3000	11.8	13.3
30	120	25	3000	12.4	13.9
34	100	25	2500	12.5	14.0
40	80	25	2000	12.7	14.2
44	80	25	2000	13.4	14.9
50	60	25	1500	10.5	12.0
60	60	25	1500	12.2	13.7
64	60	25	1500	13.5	15.0

Drawn By: Emma 11/27'20