

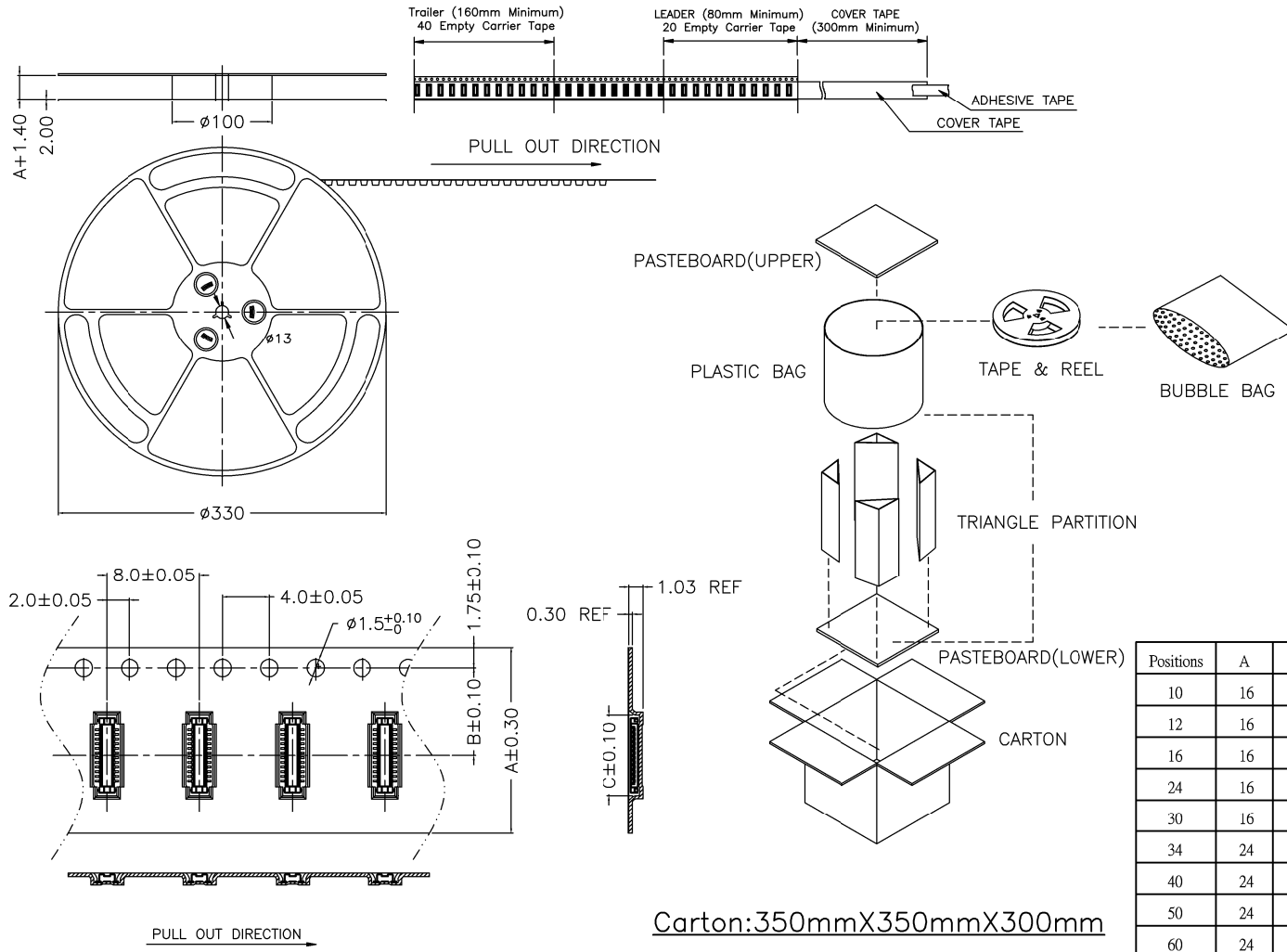
歐品電子(昆山)有限公司

OUPIIN ELECTRONIC(KUNSHAN) CO.,LTD.

PACKAGING SPECIFICATION (包裝作業規範)

SPEC.NO.(規範編號)	2379SPP	適用產品: 2379-xxMG00DNT	PAGE	1/1	REV.	I567
----------------	---------	----------------------	------	-----	------	------

PACKING OPERATION DIAGRAM & INSTRUCTION (包裝作業圖示及說明)	REMARK (備註)
---	-------------



Package:
 5K Pcs/ Tape & Reel
 8 Tape & Reel/ Carton
 40K Pcs/ Carton

Carton:
 40 PIN
 N.W: 0.46 kg
 G.W: 5.91 kg.

Positions	A	B	C
10	16	7.5	4.1
12	16	7.5	4.5
16	16	7.5	5.3
24	16	7.5	6.9
30	16	7.5	8.1
34	24	11.5	10.1
40	24	11.5	10.1
50	24	11.5	12.1
60	24	11.5	14.1

Carton: 350mmX350mmX300mm

Drawn By: Emma 12/01'20