

歐品電子(昆山)有限公司

OUPIIN ELECTRONIC(KUNSHAN) CO.,LTD.

PACKAGING SPECIFICATION (包裝作業規範)

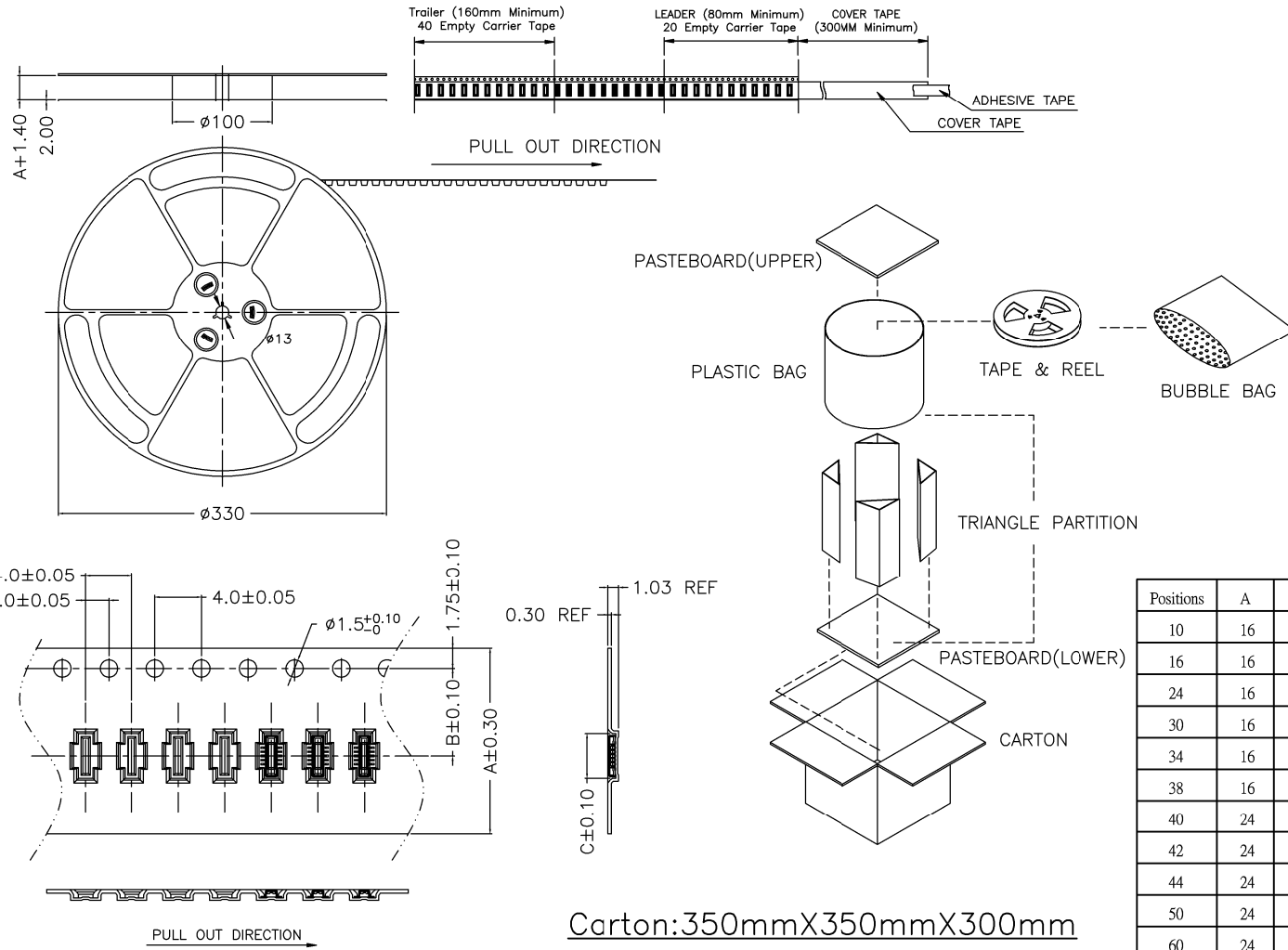
SPEC.NO.(規範編號)	2394SPP	適用產品: 2394-xxMG00DNT	PAGE	1/1	REV.	I567
----------------	---------	----------------------	------	-----	------	------

PACKING OPERATION DIAGRAM & INSTRUCTION (包裝作業圖示及說明)

REMARK (備註)

Package:
 15K Pcs/ Tape & Reel
 10 Tape & Reel/ Carton
 150K Pcs/ Carton

Carton:
 10 PIN
 N.W: 1.22 kg
 G.W: 6.70 kg



Positions	A	B	C
10	16	7.5	3.85
16	16	7.5	4.90
24	16	7.5	6.30
30	16	7.5	7.35
34	16	7.5	8.05
38	16	7.5	8.75
40	24	11.5	9.10
42	24	11.5	9.45
44	24	11.5	9.80
50	24	11.5	10.85
60	24	11.5	12.60

Drawn By: Emma 11/25'20