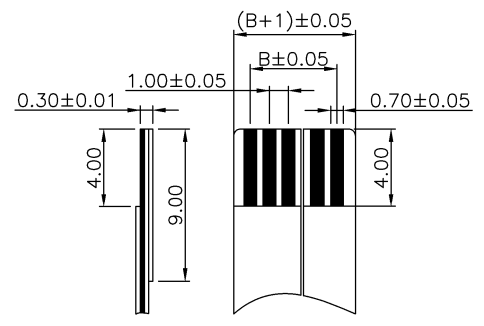
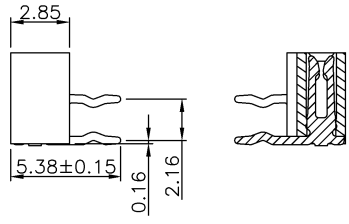
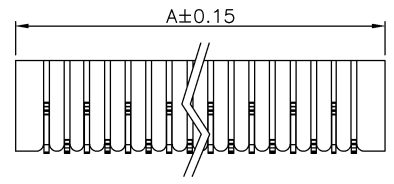
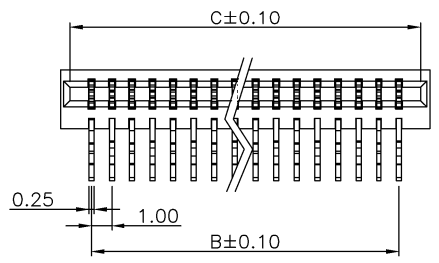
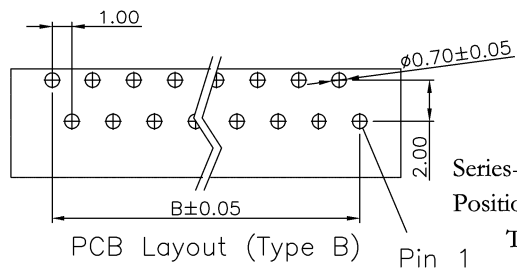
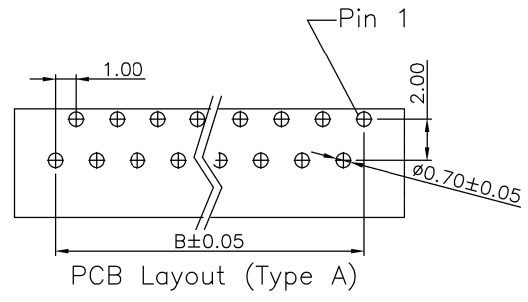


REV.	SPECIFICATION	ECN NO.	APPD.

Material:
Housing:LCP, UL94V-0, Black.
Contacts:Phosphor Bronze, Tin Plated.
Electrical Characteristics:
Current Rating: 1 AMP.
Dielectric Withstanding Voltage: AC 250V.
Insulation Resistance: 500MΩ min.
Contact Resistance: 30mΩ max.
Operating Temperature: -45°C~+85°C.
***RoHS Compliant**



Positions	Dimension		
	A	B	C
04	6.00	3.00	5.10
05	7.00	4.00	6.10
06	8.00	5.00	7.10
07	9.00	6.00	8.10
08	10.00	7.00	9.10
09	11.00	8.00	10.10
10	12.00	9.00	11.10
11	13.00	10.00	12.10
12	14.00	11.00	13.10
13	15.00	12.00	14.10
14	16.00	13.00	15.10
15	17.00	14.00	16.10
16	18.00	15.00	17.10
17	19.00	16.00	18.10
18	20.00	17.00	19.10
19	21.00	18.00	20.10
20	22.00	19.00	21.10
21	23.00	20.00	22.10
22	24.00	21.00	23.10
23	25.00	22.00	24.10
24	26.00	23.00	25.10
25	27.00	24.00	26.10
26	28.00	25.00	27.10
27	29.00	26.00	28.10
28	30.00	27.00	29.10
29	31.00	28.00	30.10
30	32.00	29.00	31.10
31	33.00	30.00	32.10
32	34.00	31.00	33.10
33	35.00	32.00	34.10
34	36.00	33.00	35.10
35	37.00	34.00	36.10



Series: 2432-C xx T R x U
Positions: T: Tin Plated, R: Right Angle, U: Tube Package
A: Type A, B: Type B

Tolerances	Dwg No.	S2320210625-01	Title:	2432-C Series
.x = ±0.30	Projection		FFC/FPC Connector	
.xx = ±0.20	Unit	mm	Scale	1:N
.xxx = ±0.10	Drawn By	Martin 07/21'21	Right Angle Type	

OUPIIN			
OUPIIN ELECTRONIC(KUNSHAN) CO., LTD.			
P/N: 2432-CxxTRxU			
SHEET	1/1	Ver.No.	X2