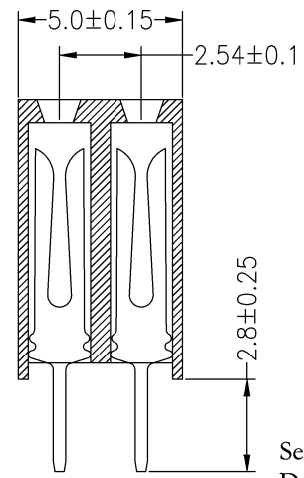
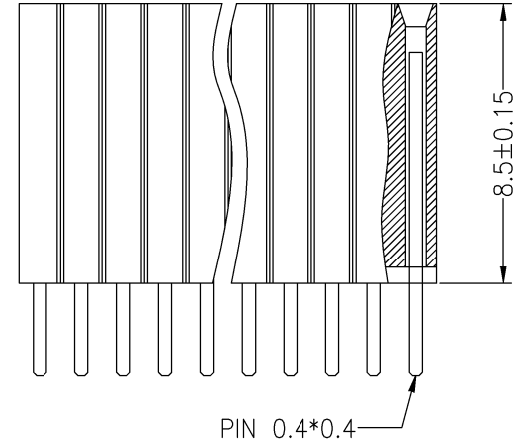
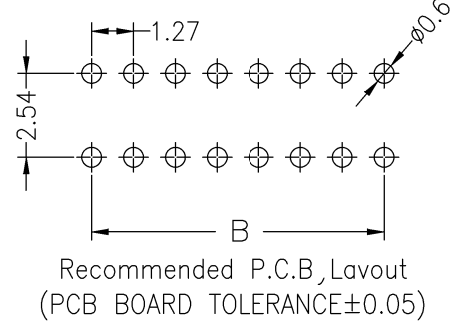
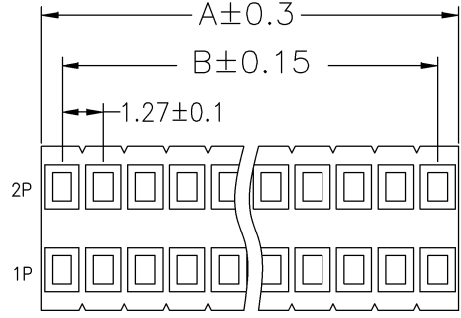


REV.	SPECIFICATION	ECN NO.	APPD.

Material:
Housing: PA6T, UL94V-0.
Contacts: Brass, Gold Plated over Nickel 60u".
Electrical Characteristics:
Current Rating: 1 AMP.
Dielectric Withstanding Voltage: AC 500V.
Insulation Resistance: 1000MΩ min..
Contact Resistance: 20mΩ max.
Operating Temperature: -40°C~+105°C.
***RoHS Compliant**



Series: 2246-A
Double Row: 2
No. of Position: X xx
G: Gold Plated
xx
S: Straight
U: Tube Package
00: Gold Flash
03:03u"
05:05u"

Positions	Dimension	
	A	B
2X01	1.27	0.00
2X02	2.54	1.27
2X03	3.81	2.54
2X04	5.08	3.81
2X05	6.35	5.08
2X06	7.62	6.35
2X07	8.89	7.62
2X08	10.16	8.89
2X09	11.43	10.16
2X10	12.70	11.43
2X11	13.97	12.70
2X12	15.24	13.97
2X13	16.51	15.24
2X14	17.78	16.51
2X15	19.05	17.78
2X16	20.32	19.05
2X17	21.59	20.32
2X18	22.86	21.59
2X19	24.13	22.86
2X20	25.40	24.13
2X21	26.67	25.40
2X22	27.94	26.67
2X23	29.21	27.94
2X24	30.48	29.21
2X25	31.75	30.48
2X26	33.02	31.75
2X27	34.29	33.02
2X28	35.56	34.29
2X29	36.83	35.56
2X30	38.10	36.83

Tolerances	Dwg No.	S2720210907-02	Title:	2246-A Series	 OUPIIN ELECTRONIC(KUNSHAN) CO., LTD. P/N: 2246-A2XxxGxxSU
.x = ±0.30	Projection		P.C.B Socket 1.27mm		
.xx = ±0.20	Unit	mm	Scale	1:N	
.xxx = ±0.10	Drawn By	Martin 09/07'21	① 676	SHEET	1/1
				Ver.No.	X1