

REV.	SPECIFICATION	ECN NO.	APPD.
R3		ECN230234	

Material and Plating:

Housing: LCP, UL94V-0, BLACK.

Contacts: Brass .

Gold Plated on Contact Area and 80u" Min Tin Plated on Solder Tail over Nickel 50u" Min.

Electrical Characteristics:

Current Rating: 1.4 AMP.

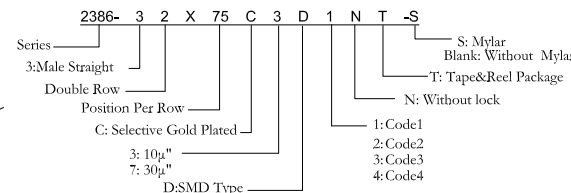
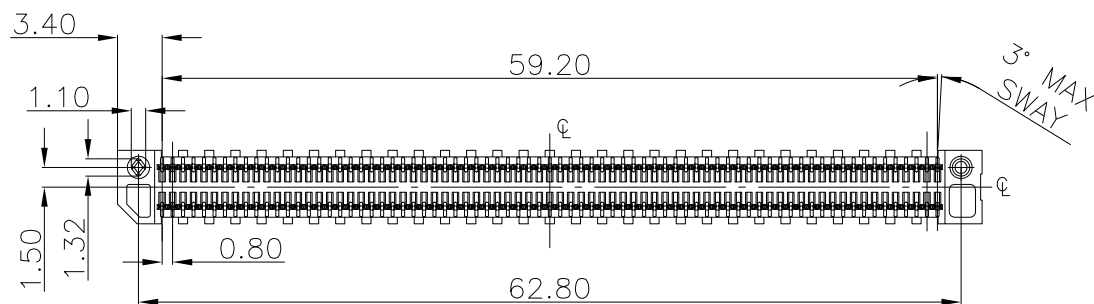
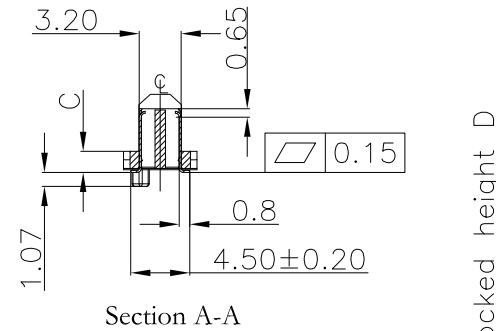
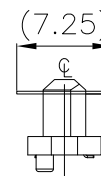
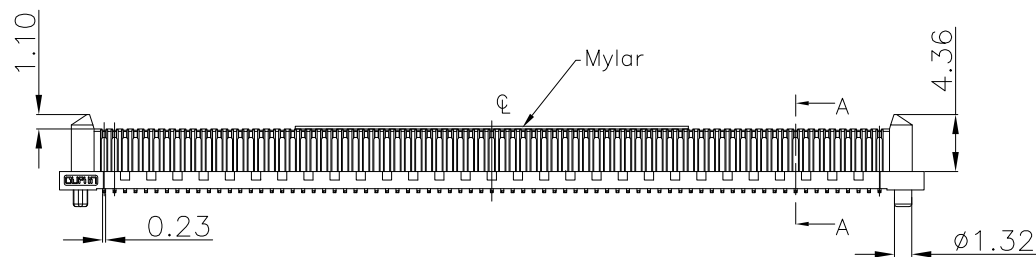
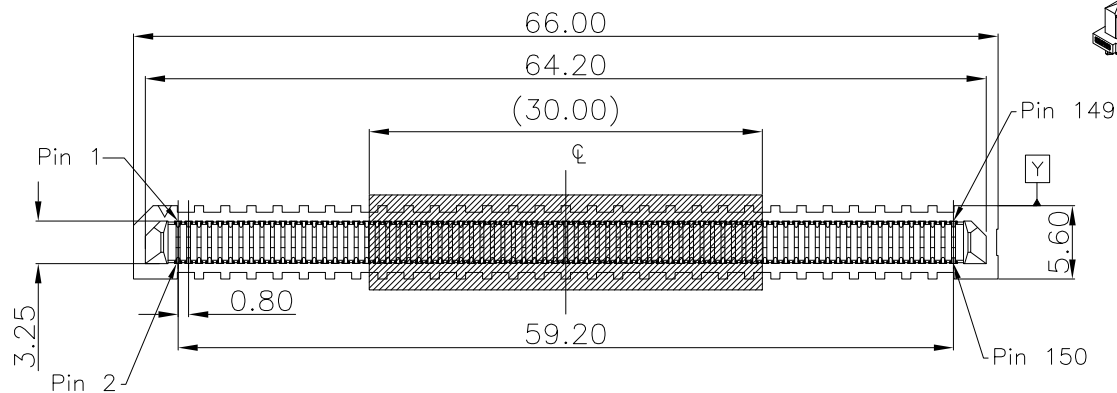
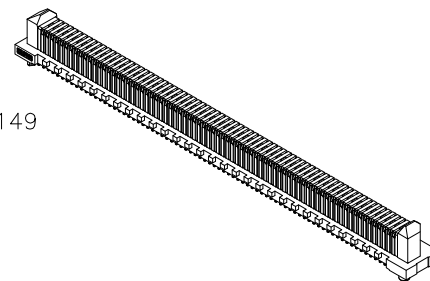
Dielectric Withstanding Voltage: AC 900V For 1 Minute.

Insulator Resistance: 50000 MΩ Min.

Contact Resistance: 25mΩ max .

Operating Temperature: -55°C ~ +125°C .

***RoHS Compliant**

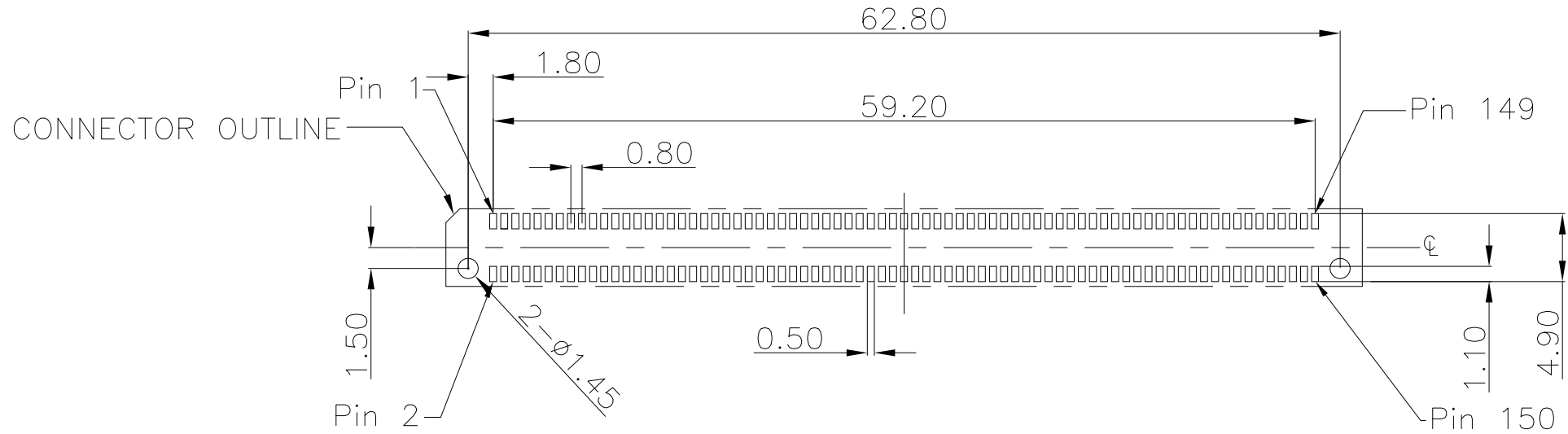


***Available Code																		
Code	1				2				3				4					
Height C	1.605				4.605				7.605				8.605					
Stacked Height D	7.0	9.0	11.0	12.0	10.0	12.0	14.0	15.0	13.0	15.0	17.0	18.0	14.0	16.0	18.0	19.0		


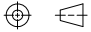
Tolerances	Dwg. No.	2386-D0000-013		Title:		
x = ±0.5	Projection	⊕		2386 Series Male Straight		
.x = ±0.25	Unit	mm	Scale			1:1
.xx = ±0.15	Drawn By	WP 02/17'23				

OUPIN			
OUPIN ELECTRONIC(KUNSHAN) CO., LTD.			
P/N: 2386-32X75C3D1NT-S			
SHEET	1/2	Ver.No.	R3

REV.	SPECIFICATION	ECN NO.	APPD.
R3		ECN230234	



Recommended PCB Layout
(Tolerance :±0.05)

Tolerances x = ±0.5 .x = ±0.25 .xx = ±0.15	Dwg. No.	2386-D0000-013		Title: 2386 Series Male Straight					
	Projection				OUPIIN ELECTRONIC(KUNSHAN) CO., LTD.				
	Unit	<i>mm</i>	Scale		1:1	P/N: 2386-32X75C3D1NT-S			
	Drawn By	WP 02/17'23			SHEET 2/2 Ver.No. R3				