

REV.	SPECIFICATION	ECN NO.	APPD.
R6		ECN230636	

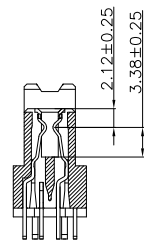
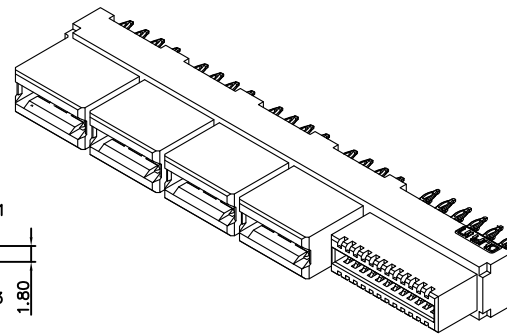
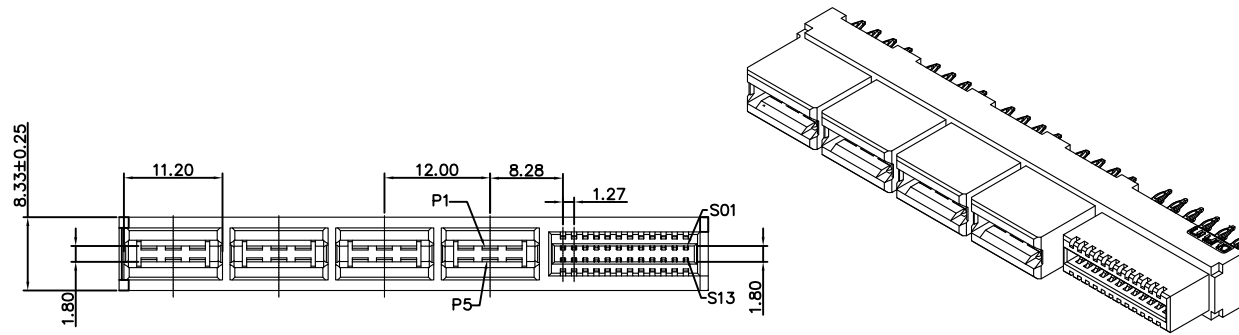
**Material and Plating:**

Housing: LCP, UL94V-0, Black.  
 Power Contacts: High Conductivity Copper.  
 30u"Au+Pd/Ni on Contact Area and 80u" Min Tin Plated on Press Fit over Nickel 50u" Min .  
 Signal Contacts : Phosphor Bronze.  
 30u"Au+Pd/Ni on Contact Area and 80u" Min Tin Plated on Press Fit over nickel 50u" Min .

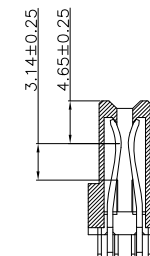
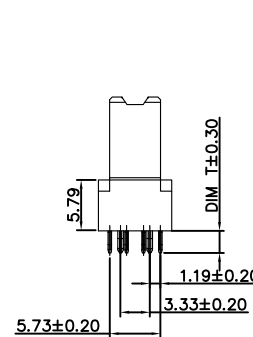
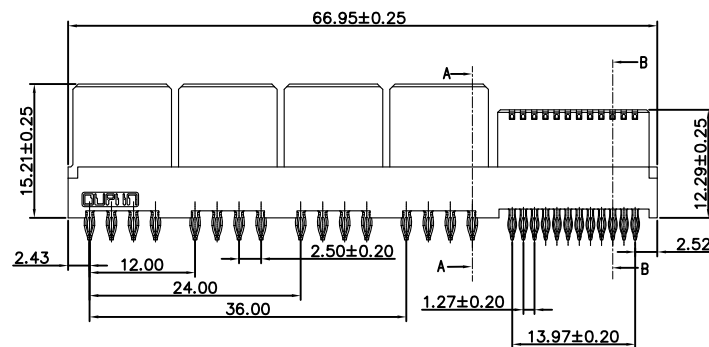
**Electrical Characteristics:**

Current Rating: Signal Pin 1.0 AMP.  
 Power Pin 45 AMP.(UL)  
 Insulator Resistance: Signal:5000MΩ min. at DC 500V.  
 Power:5000MΩ min. at DC 500V.  
 Dielectric Withstanding Voltage:  
 Signal Pin DC 1500V For 1 minute.  
 Power Pin DC 1500V For 1 minute.  
 Contact Resistance: Signal Pin 20mΩ max.  
 Power Pin 20mΩ max.  
 Operating Temperature: -40°C ~+105°C .

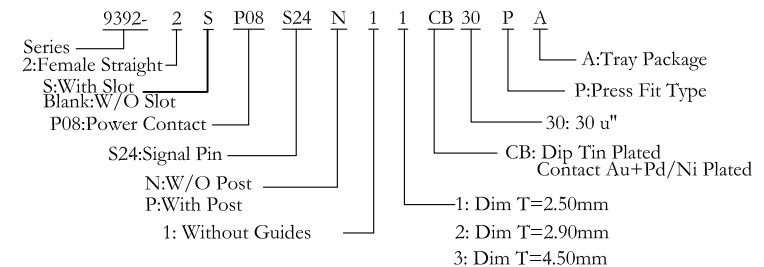
**\*RoHS Compliant**



SECTION B-B  
SCALE 1:1



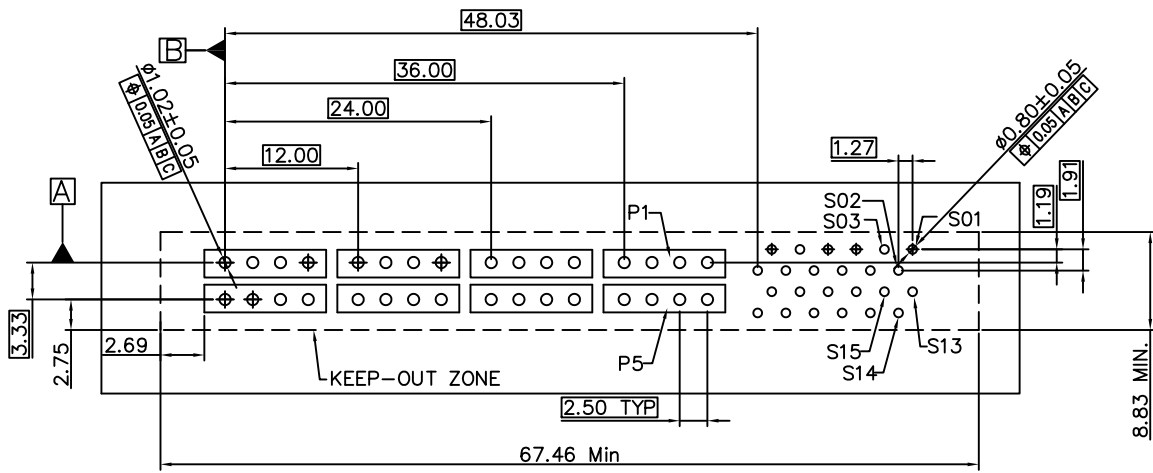
SECTION A-A  
SCALE 1:1



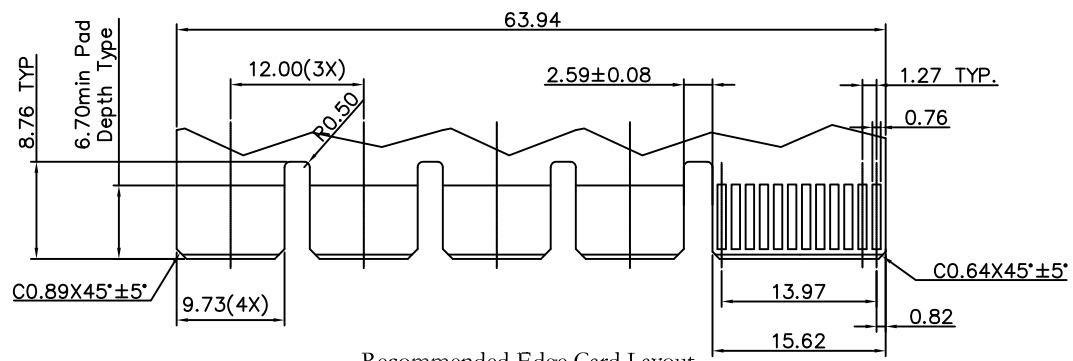
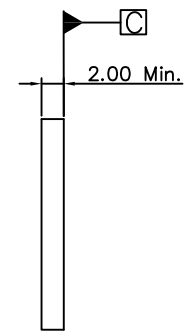
Tolerances	Dwg. No.	9392-D0000-068		Title:
x = ±0.5	Projection	⊕ ⊖		9392 Series Low Profile Hybrid Power Receptacle
.x = ±0.25	Unit	mm	Scale 1:1	
.xx = ±0.15	Drawn By	JCQ	06/27'23	

<b>OUPIN</b>			
OUPIN ELECTRONIC(KUNSHAN) CO., LTD.			
P/N: 9392-2SP08S24N11CB30PA			
SHEET	1/2	Ver. No.	R6

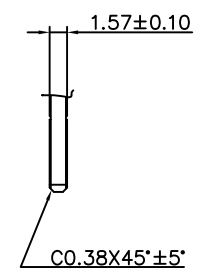
REV.	SPECIFICATION	ECN NO.	APPD.
R6		ECN230636	



P.C.Board Layout  
(Tolerance:  $\pm 0.05$ )



Recommended Edge Card Layout  
(Tolerance:  $\pm 0.05$ )



Tolerances	Dwg. No.	9392-D0000-068		Title:		
x = $\pm 0.5$	Projection			9392 Series Low Profile Hybrid Power Receptacle		
.x = $\pm 0.25$	Unit	mm	Scale			1:1
.xx = $\pm 0.15$	Drawn By	JCQ	06/27'23			

<b>OUPIN</b>			
OUPIN ELECTRONIC(KUNSHAN) CO., LTD.			
P/N: 9392-2SP08S24N11CB30PA			
SHEET	2/2	Ver. No.	R6