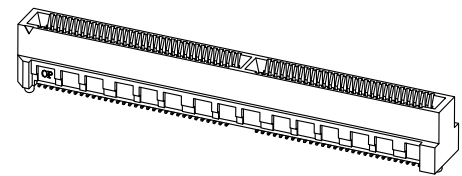


| | | | |
|------|---------------|-----------|-------|
| REV. | SPECIFICATION | ECN NO. | APPD. |
| R4 | | ECN211220 | |



Material and Plating:

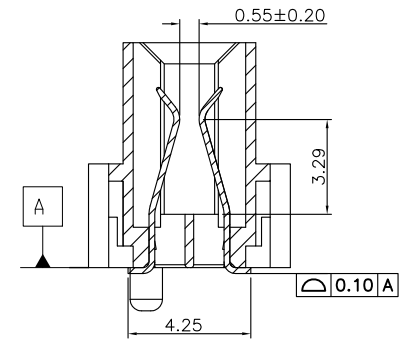
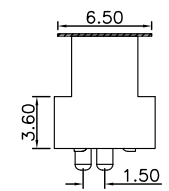
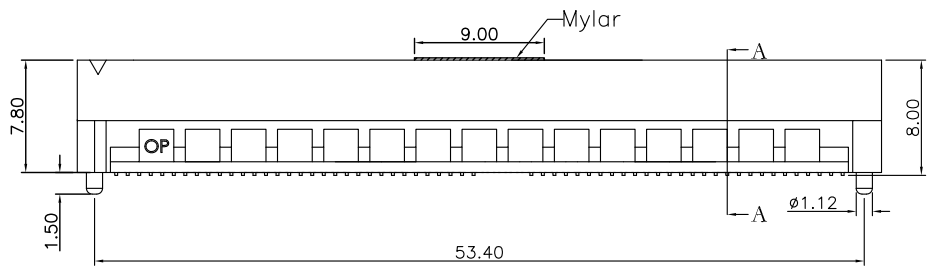
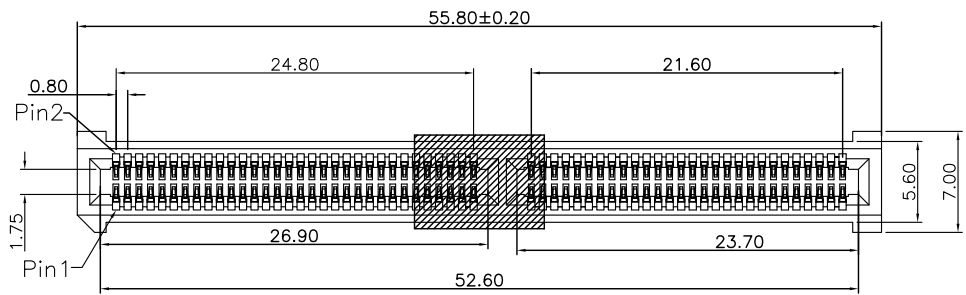
Housing: LCP,UL94V-0 , BLACK.
 Contacts : High performance Copper Alloy
 Gold Plated on Contact Area and 80u" Min Tin Plated on Solder Tail over Nickel 50u" Min .

Electrical Characteristics:

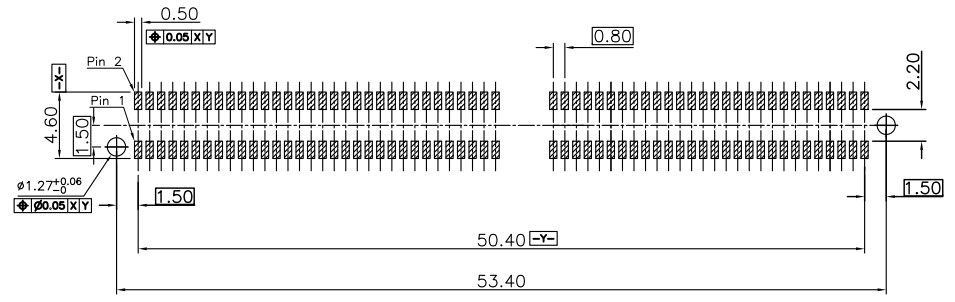
Current Rating: 3.1 AMP.
 Dielectric Withstanding Voltage: AC 600V For 1 minute.
 Insulator Resistance: 6000MΩ min. at DC 250V.
 Contact Resistance: 8.4mΩ max. at DC 100mA.
 Operating Temperature: -55°C~+125°C.

***RoHS Compliant**

Insertion Depth: 3.15mm To 5.55mm.
 Speed:28+Gbps @-3dB.



Section A-A
Scale 2:1



P.C. Board Layout
(Tolerance ±0.05)

8206- 2 X 60 C 30 D P 1 T - S

Series ———
 Double Row ———
 Position Per Row ———
 C: Selective Gold Plated ———
 00: 00u"
 10: 10u"
 15: 15u"
 30: 30u"

S: Mylar
 P: Plastic Pad
 Blank: Without Pad
 T: Tape&Reel Package
 U: Tube Package
 1: With Front Key
 P: With Post
 N: Without Post
 D: SMD Type

| | | | |
|-------------|------------|----------------|-----------|
| Tolerances | Dwg. No. | 8206-D0000-032 | |
| x = ±0.50 | Projection | | |
| .x = ±0.25 | Unit | mm | Scale 1:1 |
| .xx = ±0.15 | Drawn By | ZY 12/22'21 | |

Title:
 8206 Series
 Edge Card Connector
 0.80mm (0.0315") Pitch SMD Type

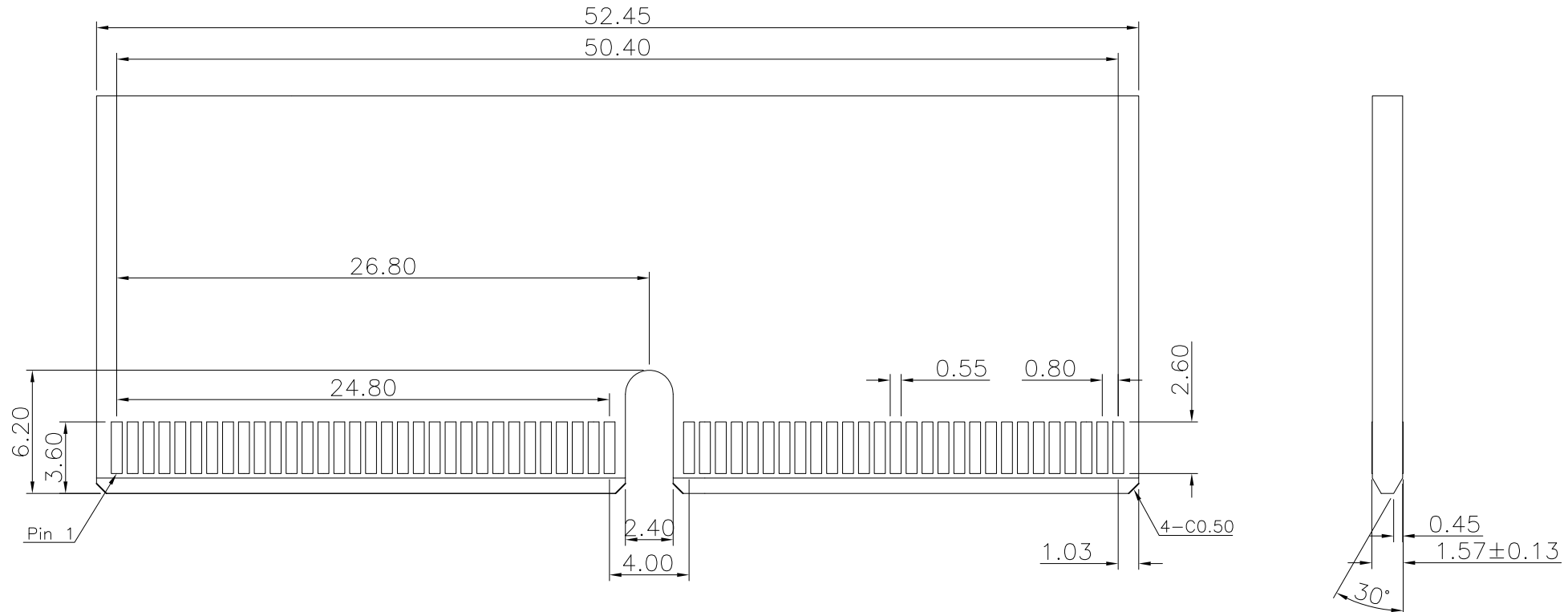


OUPIN ELECTRONIC(KUNSHAN) CO., LTD.


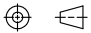
P/N: 8206-2X60C30DP1T-S

| | | | |
|-------|-----|---------|----|
| SHEET | 1/2 | Ver.No. | R4 |
|-------|-----|---------|----|

| | | | |
|------|---------------|-----------|-------|
| REV. | SPECIFICATION | ECN NO. | APPD. |
| R4 | | ECN211220 | |



RECOMMENDED MATING BOARD FOOTPRINT
(Tolerance: ±0.05)

| | | | | | |
|-------------|------------|---|---------------------------------|-----|---|
| Tolerances | Dwg.No. | 8206-D0000-032 | Title: | |  OUPIIN ELECTRONIC(KUNSHAN) CO., LTD. P/N: 8206-2X60C30DP1T-S |
| x = ±0.50 | Projection |  | 8206 Series | | |
| .x = ±0.25 | Unit | mm | Scale | 1:1 | |
| .xx = ±0.15 | Drawn By | ZY 12/22'21 | Edge Card Connector | | |
| | | | 0.80mm (0.0315") Pitch SMD Type | | SHEET |
| | | | | | 2/2 |
| | | | | | Ver.No. |
| | | | | | R4 |