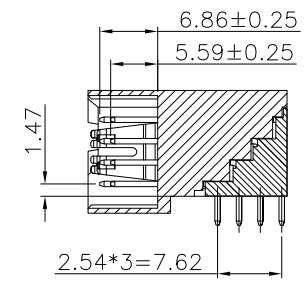
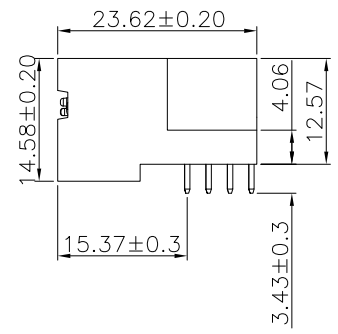
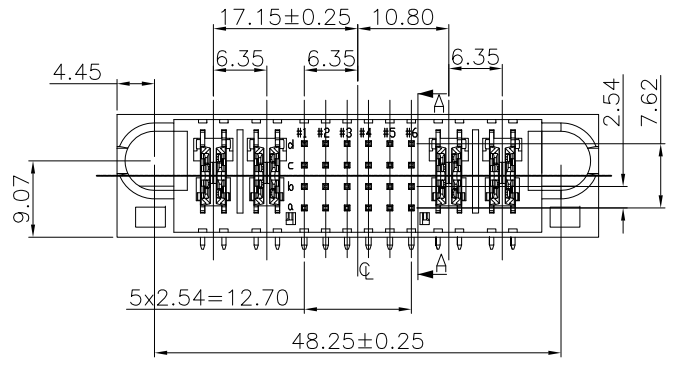
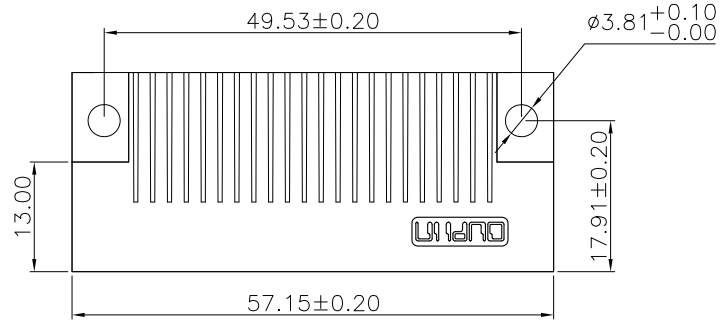
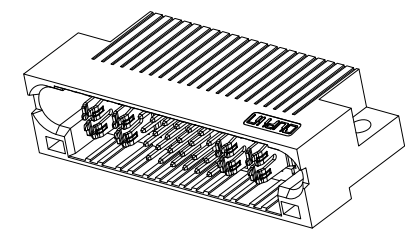


REV.	SPECIFICATION	ECN NO.	APPD.
R2		ECN220821	

Material and Plating:
Housing: LCP, UL94V-0, BLACK.
Power Contacts: High Conductivity Copper.
 30u"Au+Pd/Ni on Contact Area and 80u" Min Tin Plated on Solder Tail over Nickel 50u" Min .
Signal Contact: Brass.
 30u"Au+Pd/Ni on Contact Area and 80u" Min Tin Plated on Solder Tail over Nickel 50u" Min .

Electrical Characteristics:
Current Rating: Signal Pin 2.5 AMP.
 Power Pin 30 AMP.
Dielectric Withstanding Voltage: Signal Pin DC 1000V For 1 minute.
 Power Pin DC 2500V For 1 minute.
Insulator Resistance: Signal Pin 5000MΩ min. at DC 500V.
 Power Pin 20000MΩ min. at DC 500V.
Contact Resistance: Signal Pin 15mΩ max. at DC 20mA.
 Power Pin 0.7mΩ max. at DC 20mA.
Operating Temperature: -40°C ~ +105°C .

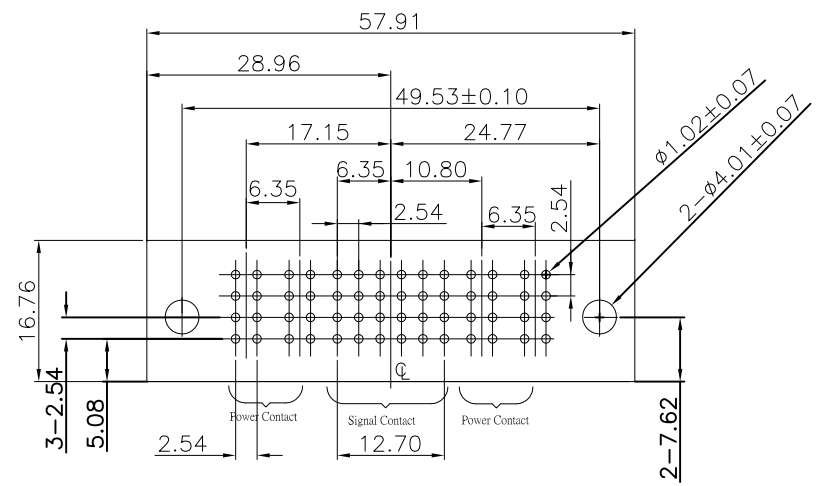
***RoHS Compliant**
 Notes 1 :
 H: High density Power--PCB Mount 5.08mm Pitch
 P: DC Power--PCB Mount 6.35mm Pitch
 A: AC Power--PCB Mount 7.62mm Pitch
 S: Signal--PCB Mount 2.54mm Pitch
 Notes 2:
 A6,B6,C6,D6 Contact Length is 5.59mm.
 Other Pin Contact Length is 6.86mm.



Section:A-A
Scale:1:1

ROWS	POWER		SIGNAL				POWER			
	P1	P2	1	2	3	4	5	6		P3
D			G	G	G	G	G	G		
C	MS	MS	G	G	G	G	G	G	MS	MS
B			G	G	G	G	G	G		
A			G	G	G	G	G	G		

SIGNAL PIN CONTACT LENGTH 4.32mm	H
SIGNAL PIN CONTACT LENGTH 5.59mm	E
SIGNAL PIN CONTACT LENGTH 7.05mm	F
SIGNAL PIN CONTACT LENGTH 6.86mm	G
HOT PLUG POWER CONTACT.STD	MS



P.C.Board Layout
(Tolerance:±0.05)

9391-A 1 P02 S24 P02 CB 30 D A -A040

Series: 9391-A
 1: Male Right-angle
 P02: Power Contact
 S24: Signal Contact
 P02: Power Contact
 CB: Dip Tin Plated Contact Au+Pd/Ni Plated
 30: 30u"
 D: Dip Type
 A: Tray Package
 -A040: Internal Code

Blank: Without Contact
 Power Contact: Hxx, Pxx, Axx
 No. of position
 Blank: Without Contact
 Signal Contact: Sxx
 No. of position
 Blank: Without Contact
 Power Contact: Hxx, Pxx, Axx
 No. of position

Tolerances	Dwg. No.	9391-D0000-349	Title:		9391-A Series		 OUPIN ELECTRONIC(KUNSHAN) CO., LTD.	
x = ±0.5	Projection		Male Right-angle Dip Type		P/N: 9391-A1P02S24P02CB30DA-A040			
.x = ±0.25	Unit	mm	Scale	1:1	SHEET	1/1	Ver. No.	R2
.xx = ±0.15	Drawn By	ZY 08/14'22						