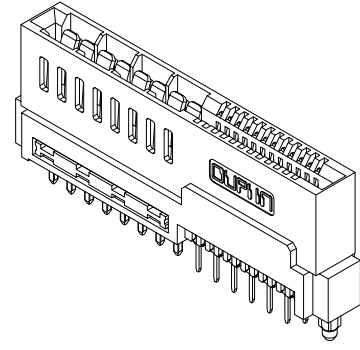


REV.	SPECIFICATION	ECN NO.	APPD.
R3		ECN230928	



**Material and Plating:**

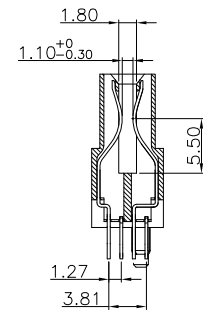
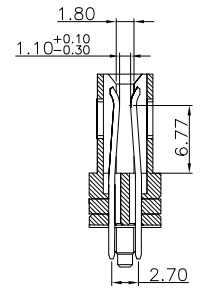
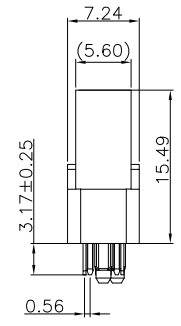
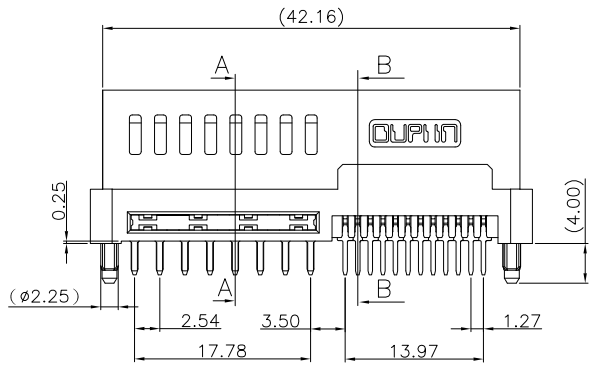
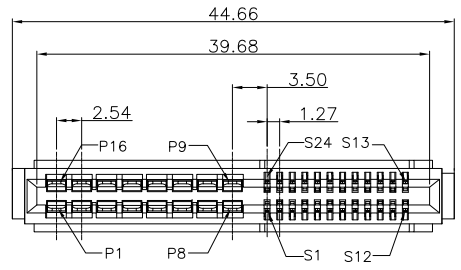
**Housing:** LCP, UL94V-0, BLACK.  
**Power Contacts:** High Conductivity Copper .  
 Au+Pd/Ni or Gold Plated on Contact Area and 80u" Min Tin Plated on Solder Tail over Nickel 50u" Min.  
**Signal Contacts :** Phosphor Bronze .  
 Au+Pd/Ni or Gold Plated on Contact Area and 80u" Min Tin Plated on Solder Tail over Nickel 50u" Min.

**Electrical Characteristics:**

**Current Rating:** Signal Pin 1.5 AMP.  
 Power Pin 12.5AMP(UL).  
**Dielectric Withstanding Voltage:**  
 Signal Pin DC 500V For 1 minute.  
 Power Pin DC 1000V For 1 minute.  
**Insulator Resistance:** Signal Pin 500MΩ min. at DC 500V.  
 Power Pin 5000MΩ min. at DC 500V.  
**Contact Resistance:** Signal Pin 25mΩ max.  
 Power Pin 0.6mΩ max.  
**Operating Temperature:** -55°C ~+105°C .

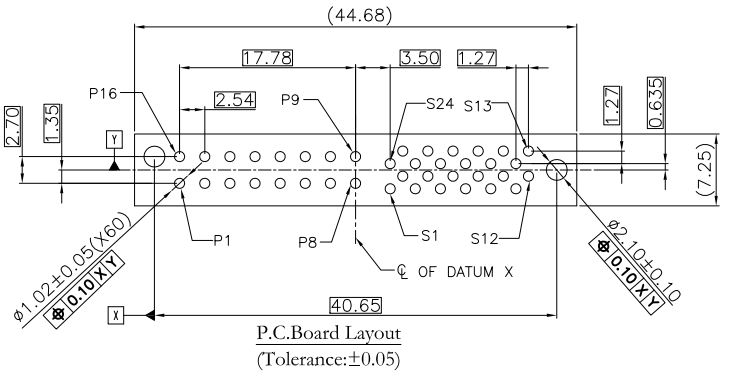
**\*RoHS Compliant**

Note: Position of Post

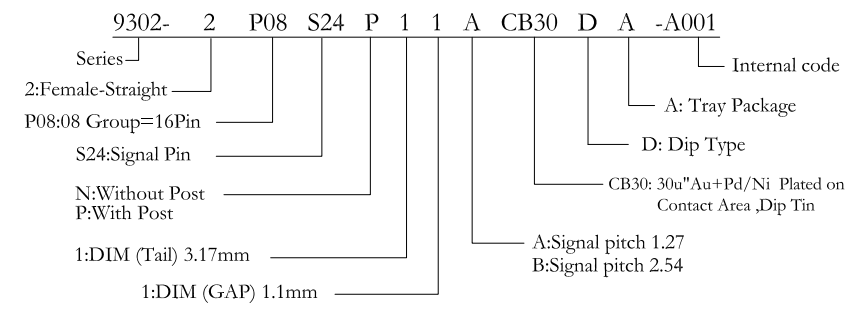


SECTION A-A

SECTION B-B



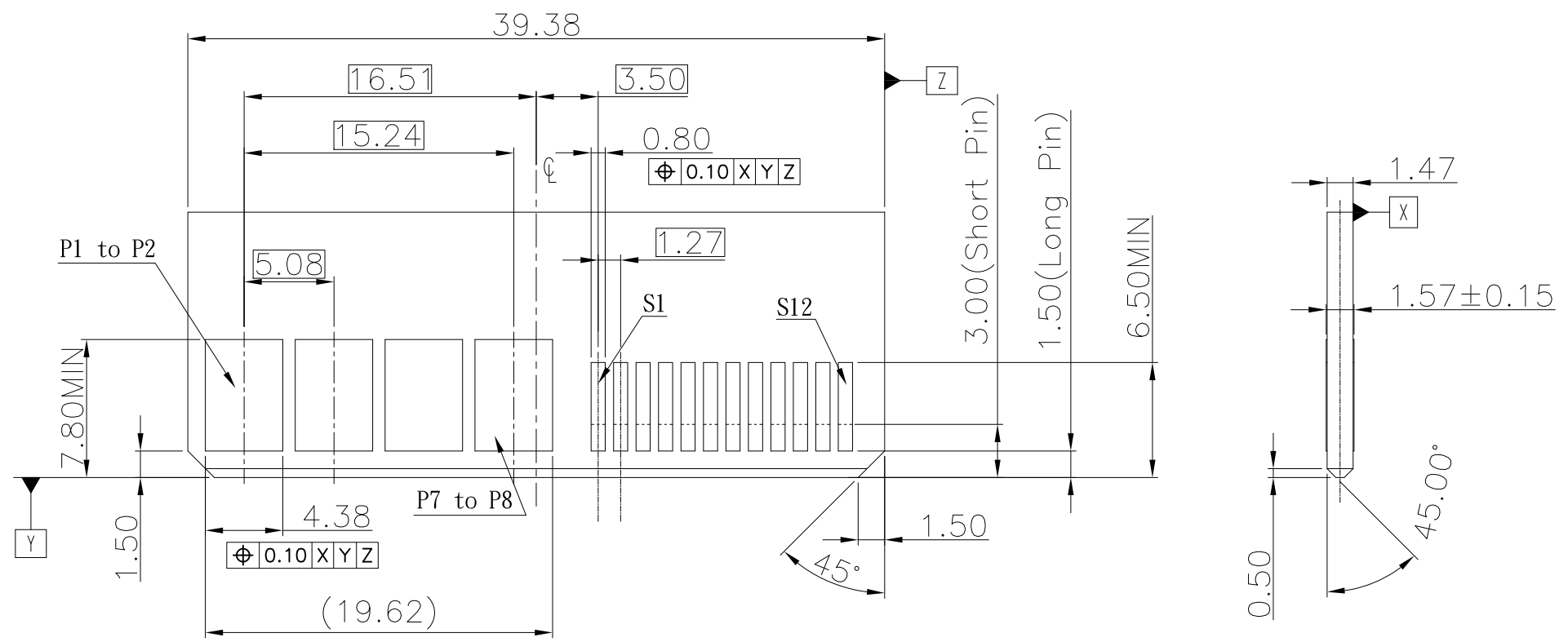
P.C.Board Layout  
(Tolerance:±0.05)





Tolerances	Dwg. No.	9302-D0000-068	Title:
X=±0.50	Projection		9302 Series High Power and Signal Edge Card Connector
.X=±0.25	Unit	mm	
.XX=±0.15	Scale	1:1	
	Drawn By	GYJ 09/19'23	

OUPIIN ELECTRONIC(KUNSHAN) CO., LTD.			
P/N: 9302-2P08S24P11ACB30DA-A001			
SHEET	1/2	Ver.No.	R3

REV.	SPECIFICATION	ECN NO.	APPD.
R3		ECN230928	



**RECOMMENDED MATTING BOARD FOOTPRINT**  
(Tolerance: ±0.05)

Tolerances	Dwg. No.	9302-D0000-068	Title:		 OUPIIN ELECTRONIC(KUNSHAN) CO., LTD. P/N: 9302-2P08S24P11ACB30DA-A001			
X=±0.50	Projection		9302 Series					
.X=±0.25	Unit	mm	Scale	1:1				
.XX=±0.15	Drawn By	GYJ 09/19'23	High Power and Signal Edge Card Connector					
					SHEET	2/2	Ver.No.	R3