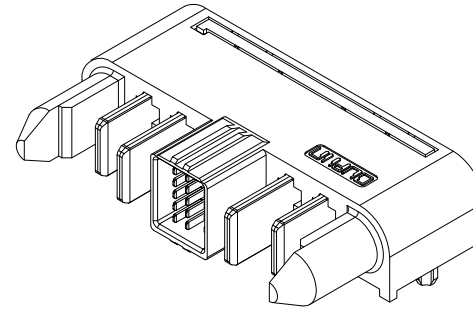
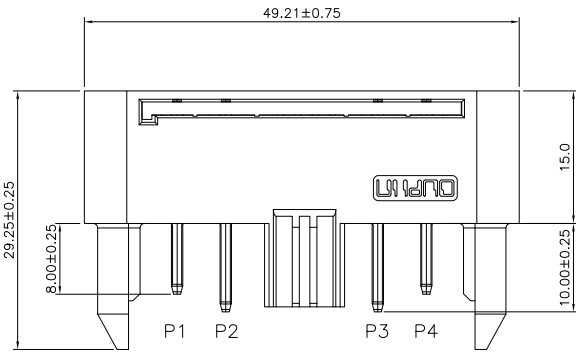


REV.	SPECIFICATION	ECN NO.	APPD.
R1		ECN220129	



Material and Plating:

Housing: LCP, UL94V-0, Black.
Molding: LCP, UL94V-0, Beige and Black.
Stopper: LCP, UL94V-0, Black.
Power Contacts: High Conductivity Copper .
Au+Pd/Ni or Gold Plated on Contact Area and 80u"
Tin Plated on Press Fit over Nickel 50u".
Signal Contacts : Brass .
Au+Pd/Ni or Gold Plated on Contact Area and 80u"
Tin Plated on Press Fit over Nickel 50u".

Electrical Characteristics:

Current Rating: Signal Pin 2.5 AMP.
Power Pin 60 AMP.
Dielectric Withstanding Voltage: Power Pin :DC 1500V For 1 minute.
Signal Pin :DC 500V For 1 minute.
Insulator Resistance: 5000MΩ min.
Contact Resistance: Signal Pin 30mΩ max.
Power Pin 0.3mΩ max.

Operating Temperature: -40°C ~+105°C .

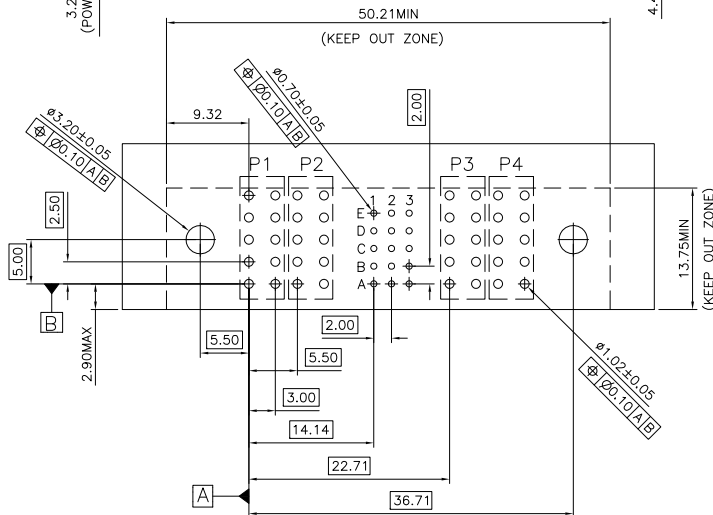
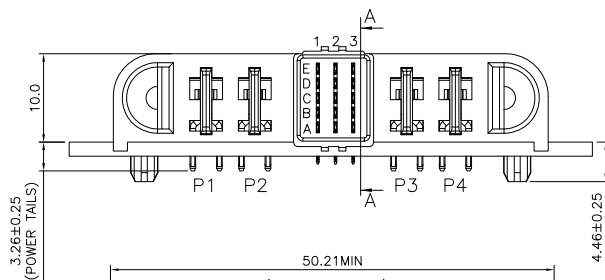
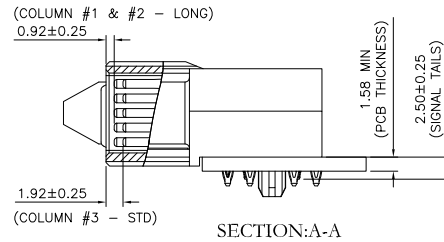
***RoHS Compliant**

Notes 1:

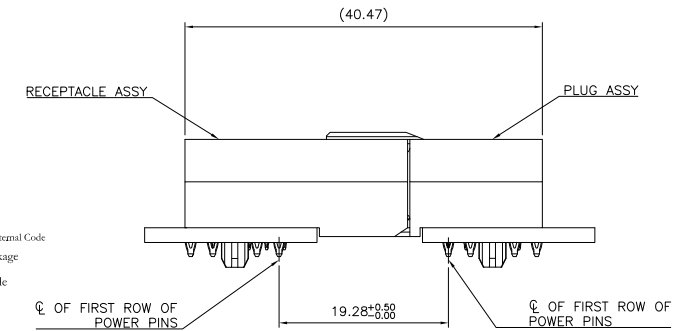
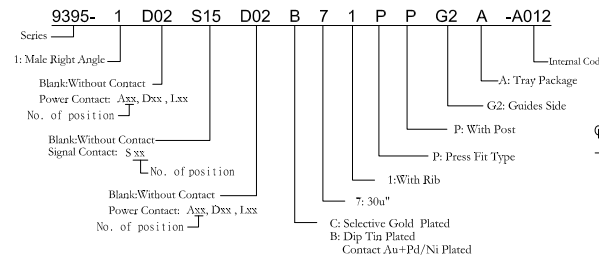
L: Low Power---PCB Mount 3.0mm Pitch
D: DC Power---PCB Mount 5.5mm Pitch
A: AC Power---PCB Mount 7.5mm Pitch

Notes 2:

A3,B3,C3,D3,E3: Signal Pin to The Top Distance is 1.92mm.
Other Signal: Signal Pin to The Top Distance is 0.92mm.
P2,P3 Power Contact Length is 10.0mm.
P1,P4 Power Contact Length is 8.0mm.



P.C.Board Layout
(Tolerance:±0.05)



Tolerances	Dwg. No.	9395-D0000-053	Title:	9395 Series Max P60 10mm Low Profile, 60Amp Plug, Right Angle,FMLB
x = ±0.5	Projection			
.x = ±0.25	Unit	mm		
.xx = ±0.15	Scale	1:1		
	Drawn By	WP 12/21'21		

OUPIN			
OUPIN ELECTRONIC(KUNSHAN) CO., LTD.			
P/N: 9395-1D02S15D02B71PPG2A-A012			
SHEET	1/1	Ver. No.	R1