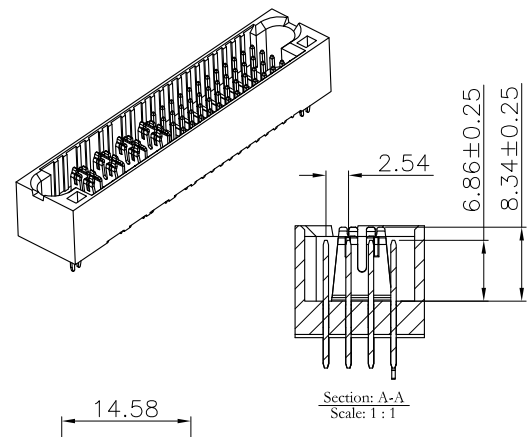
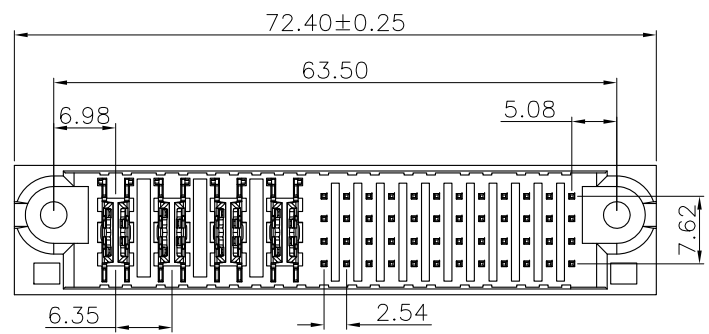


REV.	SPECIFICATION	ECN NO.	APPD.
R1		ECN220524	



Material and Plating:

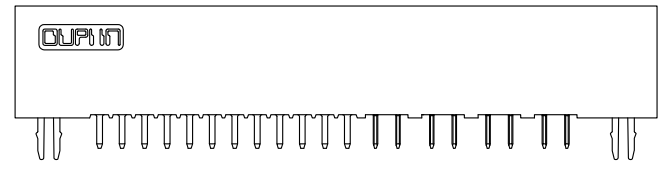
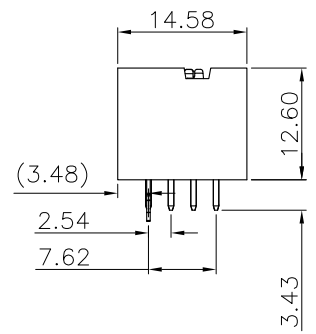
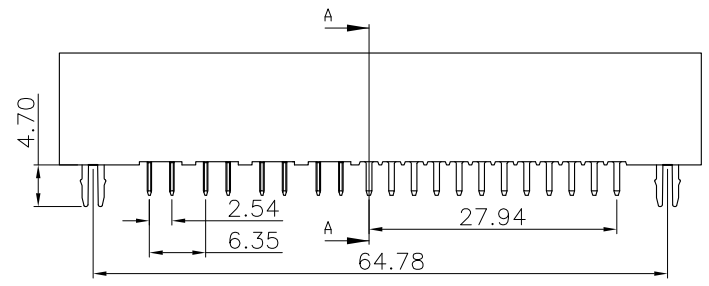
Housing: LCP, UL94V-0, BLACK.
Power Contacts: High Conductivity Copper.
 30u"Au+Pd/Ni on Contact Area and 80u" Min Tin Plated on Solder Tail over nickel 50u" Min.
Signal Contact: Brass.
 30u"Au+Pd/Ni on Contact Area and 80u" Min Tin Plated on Solder Tail over nickel 50u" Min.
 Lock: Phosphor Bronze.

Electrical Characteristics:

Current Rating: Signal Pin 2.5 AMP.
 Power Pin 30 AMP.
Dielectric Withstanding Voltage:
 Signal Pin DC 1000V For 1 minute.
 Power Pin DC 2500V For 1 minute.
Insulator Resistance: Signal Pin 5000MΩ min. at DC 500V.
 Power Pin 2000MΩ min. at DC 500V.
Contact Resistance: Signal Pin 15mΩ max. at DC 20mA.
 Power Pin 0.7mΩ max. at DC 20mA.
Operating Temperature: -40°C ~ +105°C.

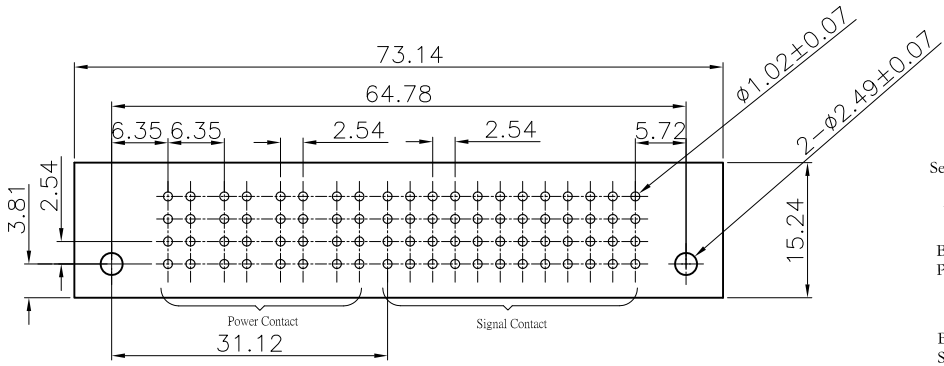
***RoHS Compliant**

Notes 1:
 H: High density Power--PCB Mount 5.08mm Pitch
 P: DC Power--PCB Mount 6.35mm Pitch
 A: AC Power--PCB Mount 7.62mm Pitch
 S: Signal--PCB Mount 2.54mm Pitch



ROWS	POWER				SIGNAL											
	P1	P2	P3	P4	1	2	3	4	5	6	7	8	9	10	11	12
D					G	G	G	G	G	G	G	G	G	G	G	G
C					G	G	G	G	G	G	G	G	G	G	G	G
B					G	G	G	G	G	G	G	G	G	G	G	G
A	HD	MS	MS	MS	MS											HD

SIGNAL PIN CONTACT LENGTH 4.32mm	H
SIGNAL PIN CONTACT LENGTH 5.59mm	E
SIGNAL PIN CONTACT LENGTH 7.05mm	F
SIGNAL PIN CONTACT LENGTH 6.86mm	G
HOT PLUG POWER CONTACT.STD	MS



P.C.Board Layout
 (Tolerance:±0.05)

9391-A 3 P04 S48 CB 30 D L A

Series: 3: Male Straight

Blank: Without Contact

Power Contact: Hxx, Pxx, Axx

No. of position

Blank: Without Contact

Signal Contact: Sxx

No. of position

A: Tray Package

L: With Lock
 Blank: Without Lock

D: Dip Type

30: 30u"

CB: Dip Tin Plated
 Contact Au+Pd/Ni Plated

Tolerances	Dwg. No.	9391-D0000-352	Title:
x = ±0.5	Projection		9391 Series
.x = ±0.25	Unit	mm	Male Straight Dip Type
.xx = ±0.15	Scale	1:1	
	Drawn By	XS 05/11'22	

OUPIN			
OUPIN ELECTRONIC(KUNSHAN) CO., LTD.			
P/N: 9391-A3P04S48CB30DLA			
SHEET	1/1	Ver. No.	R1