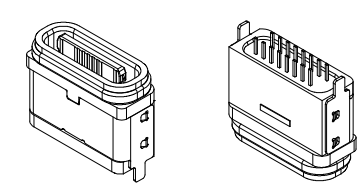
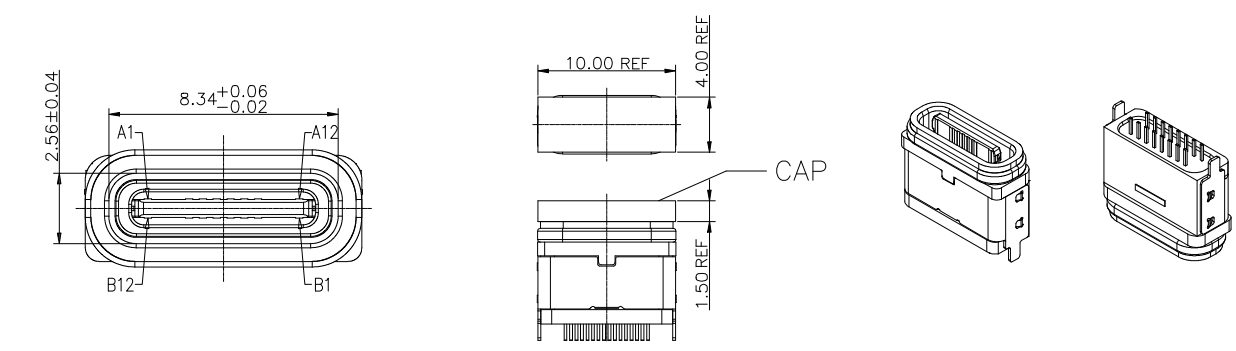
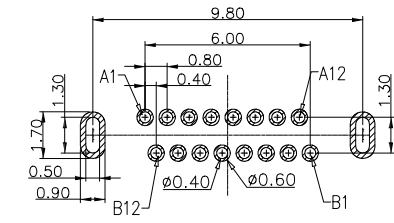
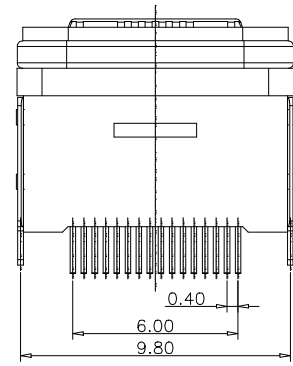
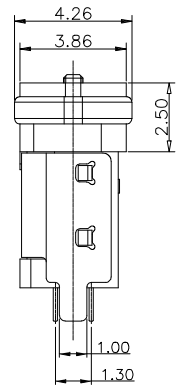
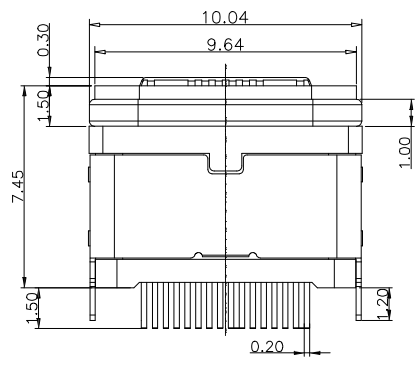


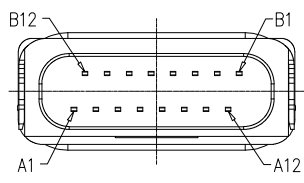
REV.	SPECIFICATION	ECN NO.	APPD.



Material:
Housing: LCP, UL94V-0, Black.
Contacts: Phosphor Bronze Gold Plated on Contact Area and 80u" Tin Plated on Solder Tail over Nickel 30u".
Shielding Plate: Stainless Steel, Nickel Plated.
Mid Plate: Stainless Steel.
Plastic Shell: LCP, UL94V-0, Black.
CAP: LCP, UL94V-0, Black.
WaterRoof Ring: Silicone, UL94V-0, Red.
Electrical Characteristics:
Current Rating: 3 AMP.
Dielectric Withstanding Voltage: AC 100V.
Insulation Resistance: 100MΩ min.
Contact Resistance: 50mΩ max for Shield.
 40mΩ max for VBUS&GND PINS and other PINS.
 10mΩ max for change of all PINS.
Operating Temperature: -35°C~+85°C.
***RoHS Compliant**
***IPX8**



RECOMMEND P.C.B LAYOUT
 TOLERANCE UNSPECIFIED ±0.05mm



USB TYPE C PIN ASSIGNMENTS

PIN NUMBER	SIGNAL NAME	PIN NUMBER	SIGNAL NAME
A1	GND	B12	GND
A4	VBUS	B9	VBUS
A5	CC1	B8	SBU2
A6	DP1	B7	DN2
A7	DN1	B6	DP2
A8	SBU1	B5	CC2
A9	VBUS	B4	VBUS
A12	GND	B1	GND

8975WP- C 16 C 00 S B 1 T -P
 Series ———
 Type C ———
 Positions ———
 C:Selective Gold Plated ———
 00:Gold Flash ———
 16 ———
 C ———
 00 ———
 S ———
 B ———
 1 ———
 T ———
 -P ———
 P:With Plastic Pad
 T:Tape & Reel Package
 Type 1
 B: Black
 S:Straight

Tolerances .x = ±0.38 .xx = ±0.25 .xxx = ±0.13	Dwg. No.	S0220220316-01		Title: 8975WP Series USB C Straight Type WaterProof ① 668	 OUPIN ELECTRONIC(KUNSHAN) CO., LTD. P/N:8975WP-C16C00SB1T-P	
	Projection					
	Unit	mm	Scale			1:N
Drawn By	Martin 07/12'22		SHEET	1/1	Ver.No.	X3