

# 歐品電子(昆山)有限公司

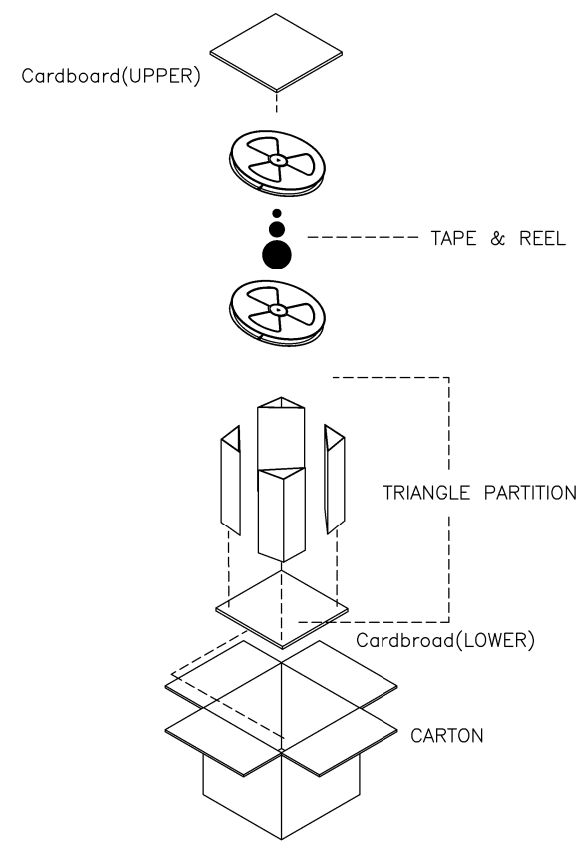
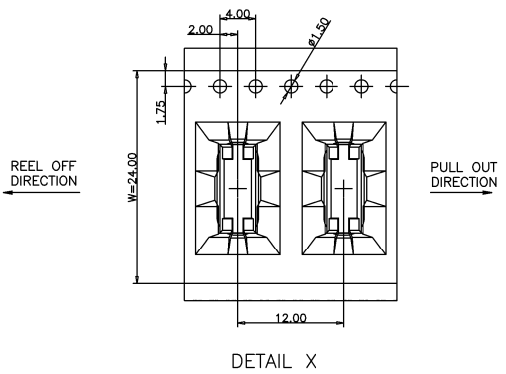
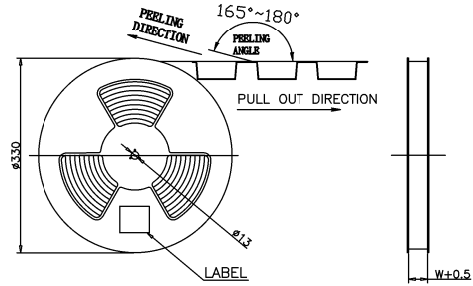
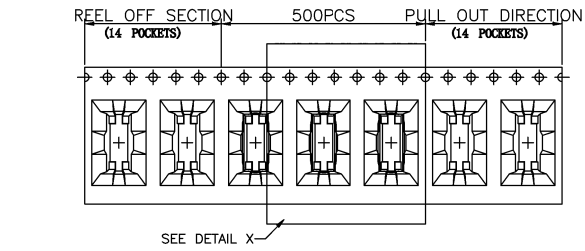
OUPIIN ELECTRONIC(KUNSHAN) CO.,LTD.

PACKAGING SPECIFICATION (包裝作業規範)

SPEC.NO.(規範編號)	8975WPSP	適用產品: 8975WP-C16C00SB1T-P	PAGE	1/1	REV.	I668
----------------	----------	---------------------------	------	-----	------	------

PACKING OPERATION DIAGRAM & INSTRUCTION (包裝作業圖示及說明) REMARK (備註)

**Package:**  
 500 Pcs/ Tape & Reel  
 10 Tape & Reel/ Carton  
 5K Pcs/ Carton



Drawn By: Martin 06/08'22