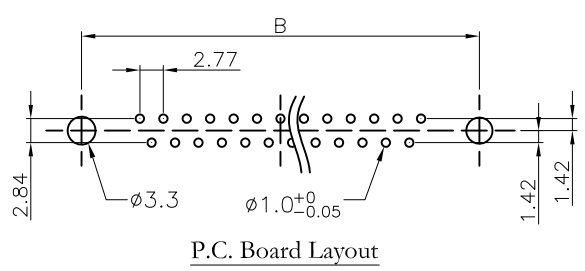
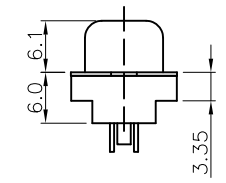
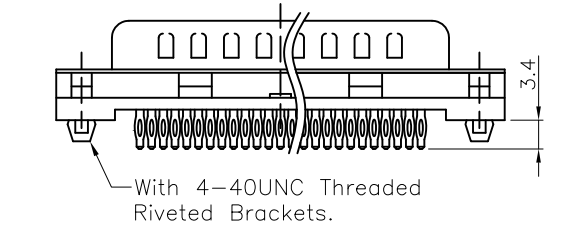
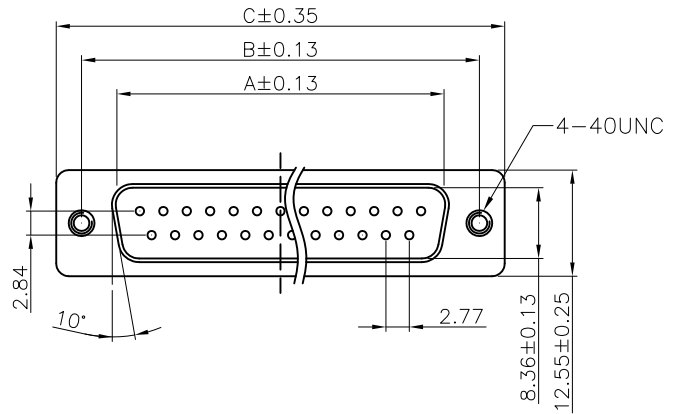


REV.	SPECIFICATION	ECN NO.	APPD.



7905- xx M T B P C 00 N3 A

Series ————
 Positions ————
 M: Male ————
 B: Black ————
 P: Press Fit Type ————

————— A: Tray Package
 ———— N3: With 4-40UNC Threaded Riveted Brackets(Board Locks)
 ———— 00: G/F
 ———— C: Selective Gold Plated

Position	Dimension		
	A	B	C
9	16.92	24.99	30.81
15	25.25	33.32	39.14
25	38.96	47.04	53.04
37	55.42	63.50	69.32

Tolerances	Dwg. No.	7905D01031
x = ±0.5	Projection	
.x = ±0.25	Unit	mm
.xx = ±0.15	Scale	1:1
	Drawn By	jia-chi 01/02'18

Title: 7905 Series
 D-SUB Straight
 Press Fit Type

OUPIN
OUPIN ELECTRONIC(KUNSHAN) CO., LTD.

P/N: 7905-xxMTBPC00N3A

SHEET	1/1	Ver.No.	A2
--------------	-----	----------------	----

Material:

Housing: PBT, UL94V-0.
 Contacts: Brass, Gold Plated on Contact Area and 100u" Min Tin Plated on solder tail over Nickel 50u" Min.
 Shell: Steel.

Electrical Characteristics:

Current Rating: 3 AMP.
 Dielectric Withstanding Voltage: AC 1000V for 1 minute.
 Insulation Resistance: 1000MΩ min. at DC 500V.
 Contact Resistance: 20mΩ max. at DC 100mA.
 Operating Temperature: -55°C~+105°C.

***RoHS Compliant**