

REV.	SPECIFICATION	ECN NO.	APPD.
X8		-----	Bobo

Material and Plating:

Housing: PBT, UL94V-0, BLACK.

Contacts: Brass.

80u" min. Tin Plated over Nickel 50u" min.

Electrical Characteristics:

Current Rating: 2.2 AMP.

Dielectric Withstanding Voltage: DC 1000V For 1 minute.

Insulation Resistance: 100MΩ min. at DC 500V.

Contact Resistance: 8mΩ max.

Operating Temperature: -30°C ~+105°C .

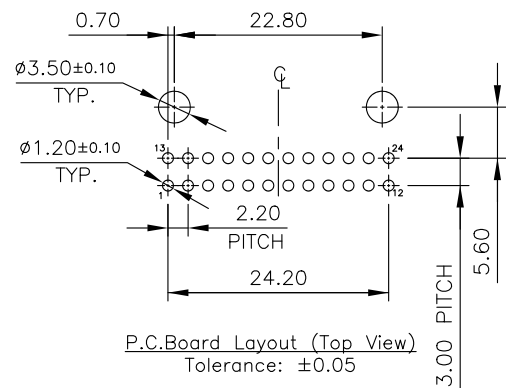
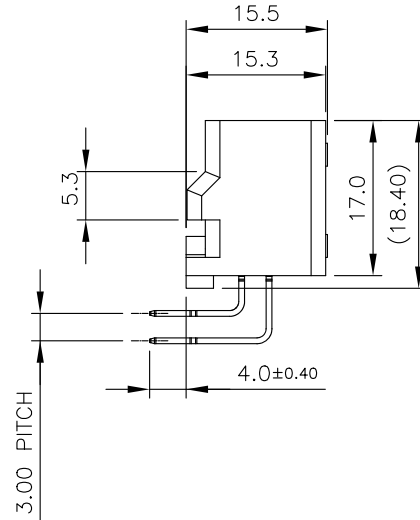
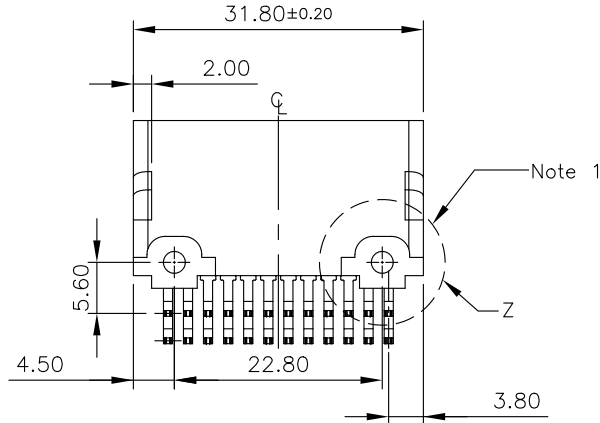
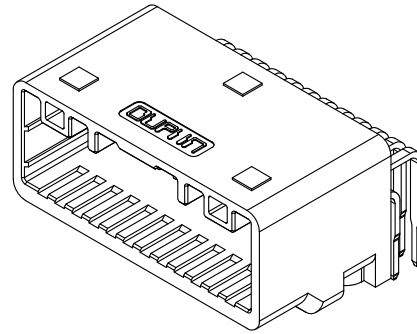
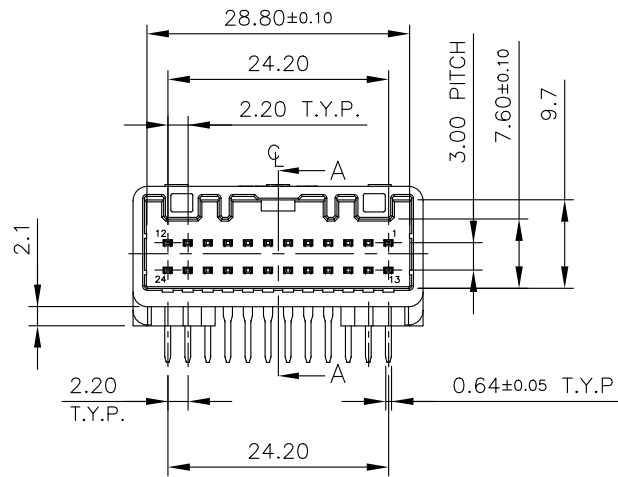
***RoHS Compliant**

Note1:

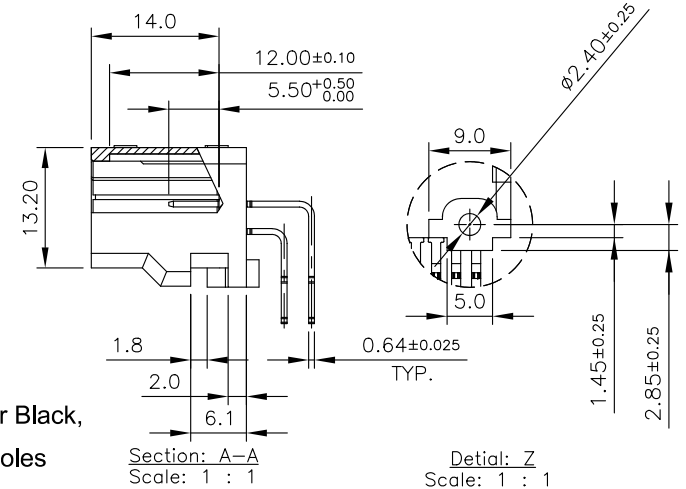
Screw Mounting Holes for M3

Note2:

Thickness of PCB(mm)	1.2	1.6
Nominal Length of Screw(mm)	5	6



Series 5290- 1 S24 T S A A01
 1: Male Right Angle
 S24:S24
 T: Tin/Ni Plating
 A: Tray Package
 S: Dip Type
 A01: Double Row, Color Black, Signal Tails 4.00mm, With Screw Mounting Holes



Tolerances	Drawn No.	5290-DS24-001
x= ±0.5	Projection	
x= ±0.25	Unit	mm
xx= ±0.15	Scale	1 : 1
	Drawn By	JL 12/15"22

Title:
 PITCH 2.20mm male
 Car connector

OUPIIN ELECTRONIC(KUNSHAN) CO., LTD.			
P/N:		5290-1S24TSA01	
SHEET	1/1	Ver.No.	X8