

歐品電子(昆山)有限公司

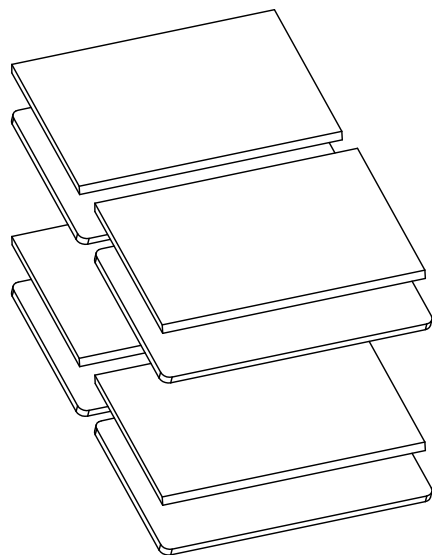
OUPIIN ELECTRONIC(KUNSHAN) CO.,LTD.

PACKAGING SPECIFICATION (包裝作業規範)

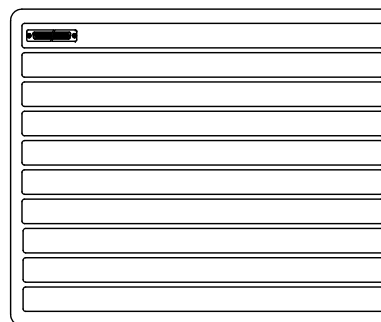
SPEC.NO.(規範編號)	7907SPP	適用產品: 7907-09xTxxxxA	PAGE	1/1	REV.	I767-A
----------------	---------	----------------------	------	-----	------	--------

PACKING OPERATION DIAGRAM & INSTRUCTION (包裝作業圖示及說明)

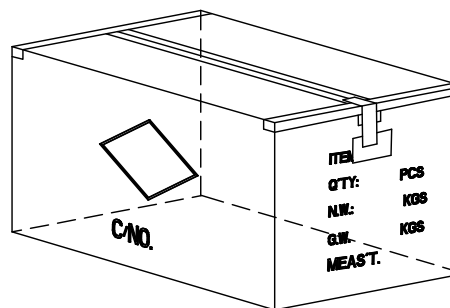
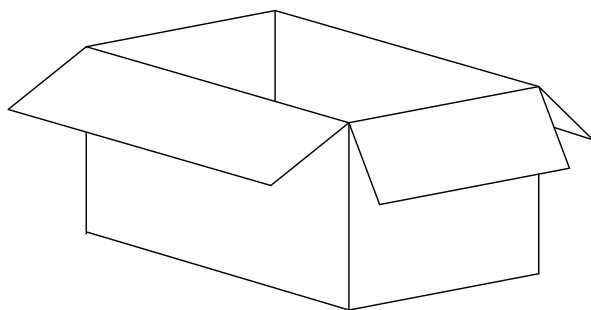
REMARK (備註)



20 TRAY
(20盤)



TRAY: 180(mm)X190(mm)



CT-0.48: 357(mm)X200(mm)X187(mm)

Packing:
50 PCS/ TRAY
20 TRAY/CARTON
1000 PCS/ CARTON

CARTON:
N.W. = 5.5 Kg
G.W. = 6 Kg

Drawn By: Doirs 11/23'18