

歐品電子(昆山)有限公司

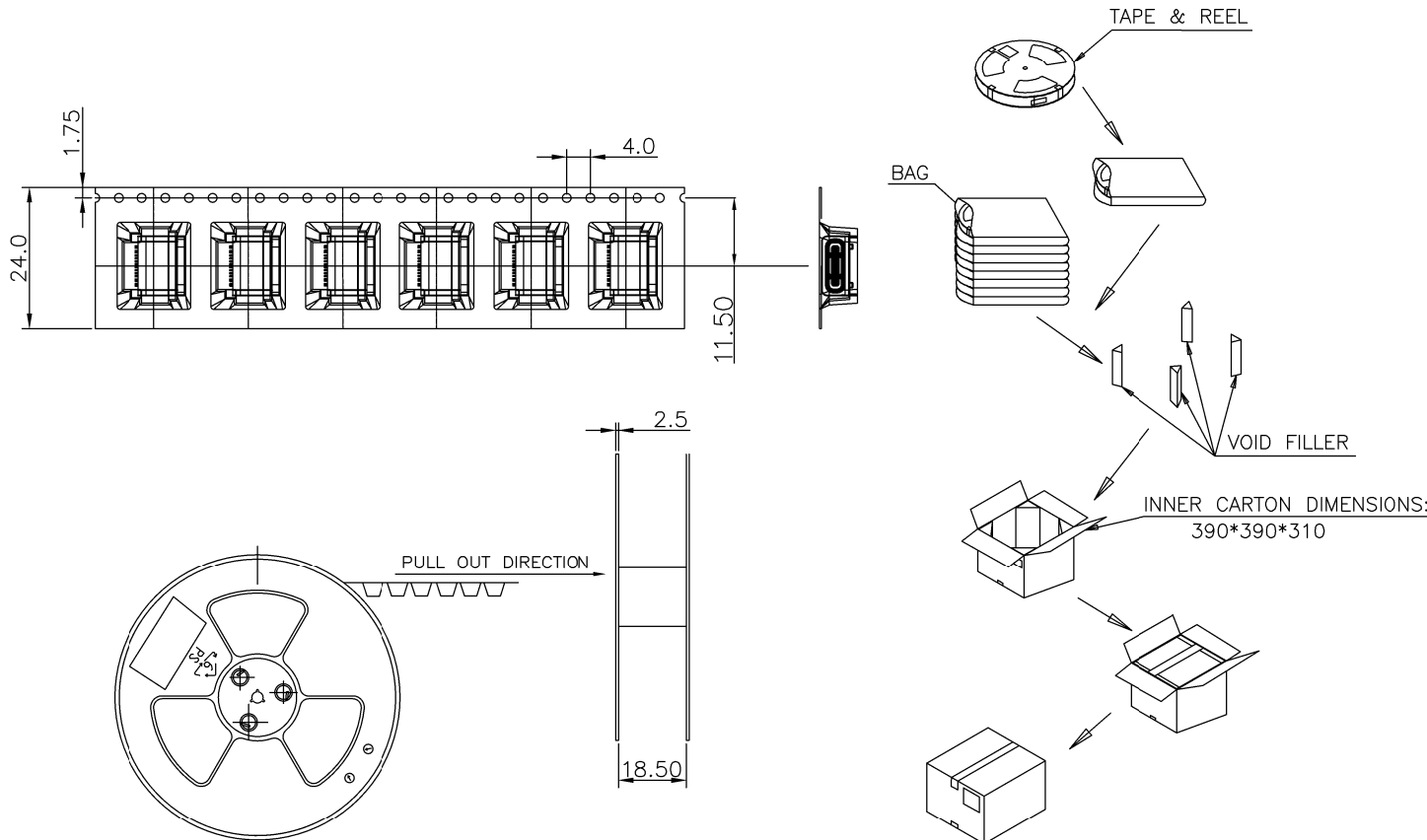
OUPIIN ELECTRONIC(KUNSHAN) CO.,LTD.

PACKAGING SPECIFICATION (包裝作業規範)

SPEC.NO.(規範編號)	8975WSPSP	適用產品: 8975WP-C16G00DB5PT	PAGE	1/1	REV.	I614
----------------	-----------	--------------------------	------	-----	------	------

PACKING OPERATION DIAGRAM & INSTRUCTION (包裝作業圖示及說明)

REMARK (備註)



Packing:
 700 Pcs/Tape & Reel
 10 Tape & Reel/Carton
 7K Pcs/Carton

Total: 405mmX405mmX330mm

Drawn By: Martin 11/21'22