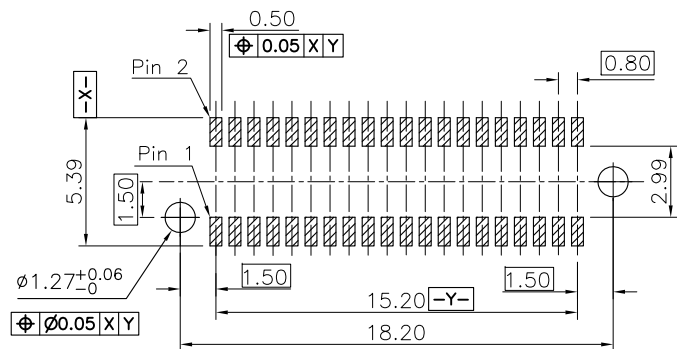
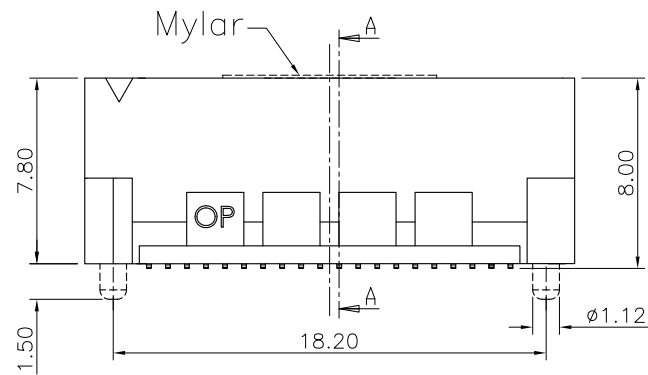
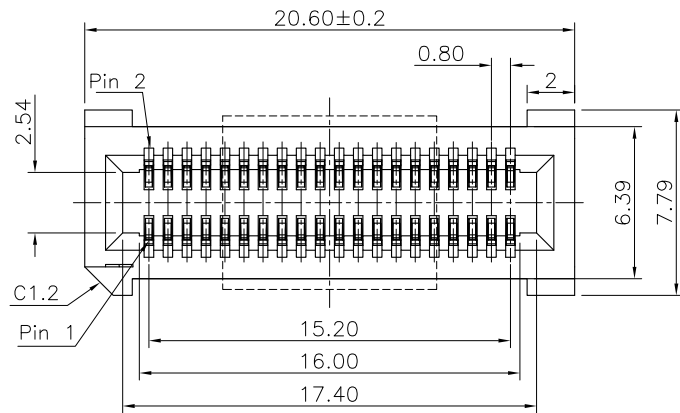
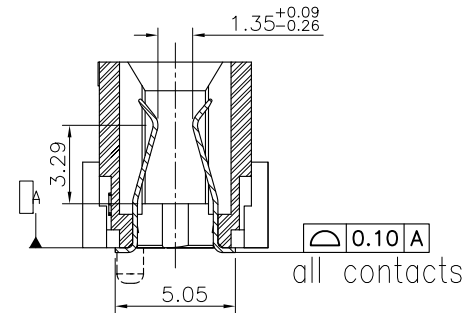
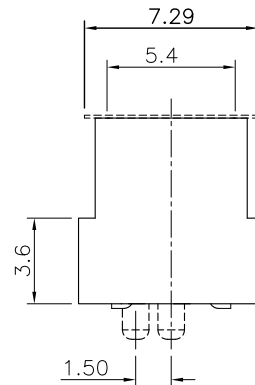


REV.	SPECIFICATION	ECN NO.	APPD.
X2			



P.C. Board Layout
(Tolerance ±0.05)

PROPOSAL ONLY



Section A-A

Series 8206- 2 X 20 C 30 D 1 P T - S
 Double Row
 Position Per Row
 C: Selective Gold Plated
 10: 10μ"
 30: 30μ"
 D: SMD Type
 S: Mylar
 P: Plastic Pad
 Blank: Without Pad
 T: Tape&Reel Packaging
 U: Tube Packaging
 P: With Post
 N: Without Post
 1: Housing Opening 2.54mm

Tolerances	Dwg.No.	8206-D0000-024		Title:	
x = ±0.50	Projection	⊕		8206 Series Edge Card Connector 0.80mm (0.0315") Pitch SMD Type	
.x = ±0.25	Unit	mm	Scale		1:1
.xx = ±0.15	Drawn By	ZJ 05/04'18			

Title:			
8206 Series Edge Card Connector 0.80mm (0.0315") Pitch SMD Type			

OUPIN			
OUPIN ELECTRONIC(KUNSHAN) CO., LTD.			
P/N: 8206-2X20C30D1PT-S			
SHEET	1/2	Ver.No.	X2

Material and Plating:

Housing: LCP, 50% Glass Filled, UL94V-0, BLACK.

Signal Contacts : Nickel Copper .

Gold plated on Contact Area and 80u" Min Tin Plated on Solder Tail over nickel 50u" Min .

Electrical Characteristics:

Current Rating: 3.1 AMP.

Dielectric Withstanding Voltage: AC 600V For 1 minute.

Insulator Resistance: 6000MΩ min. at DC 250V.

Contact Resistance: 8.4mΩ max. at DC 100mA.

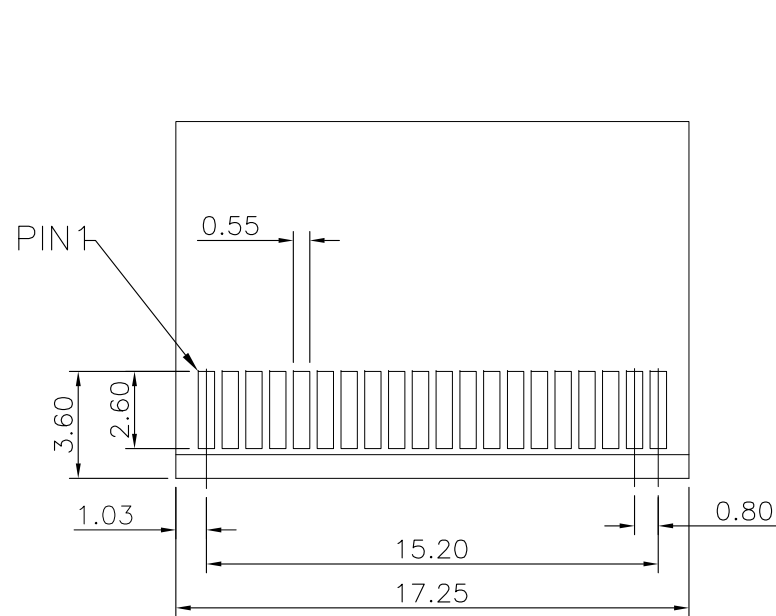
Operating Temperature: -55°C~+125°C.

***RoHS Compliant**

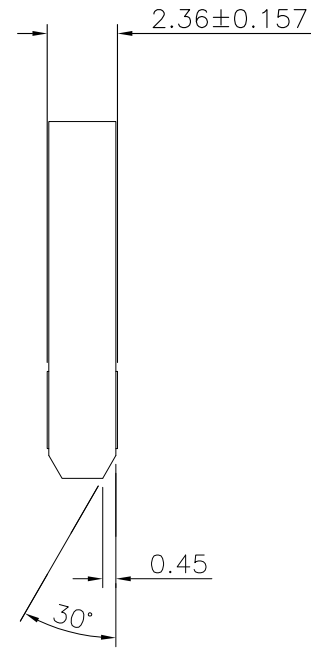
Insertion Depth: 3.15mm To 5.55mm.

Speed: 28+Gbps @-3dB.


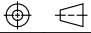
REV.	SPECIFICATION	ECN NO.	APPD.
X2			



RECOMMENDED MATTING BOARD FOOTPRINT
(Tolerance:±0.05)



PROPOSAL ONLY

Tolerances	Dwg.No.	8206-D0000-024	Title:		 OUPIIN ELECTRONIC(KUNSHAN) CO., LTD. P/N: 8206-2X20C30D1PT-S			
x = ±0.50	Projection		8206 Series Edge Card Connector 0.80mm (0.0315") Pitch SMD Type					
.x = ±0.25	Unit	mm	Scale	1:1	SHEET	2/2	Ver.No.	X2
.xx = ±0.15	Drawn By	ZJ	05/04'18					