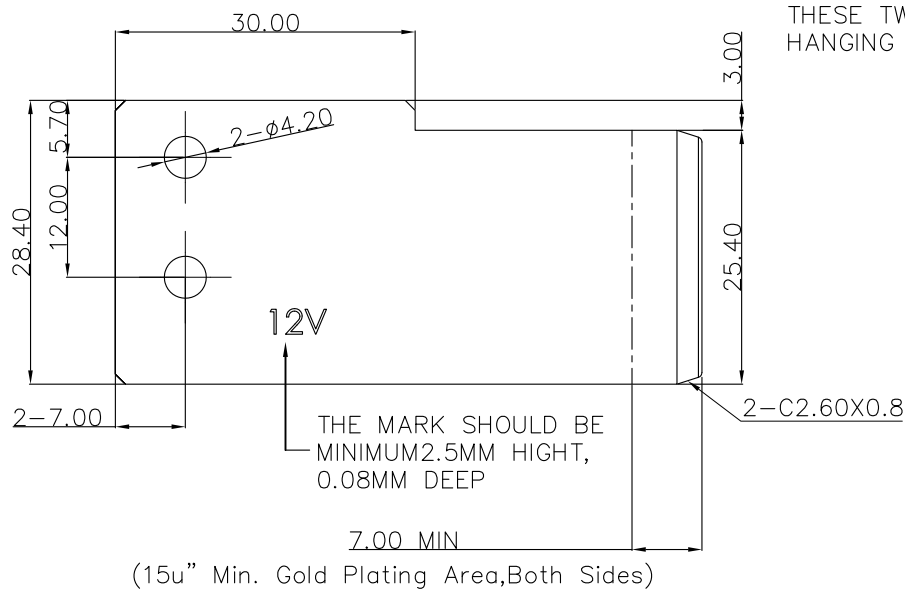
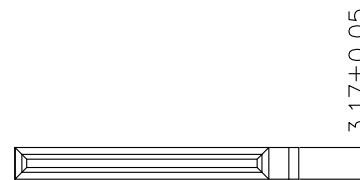
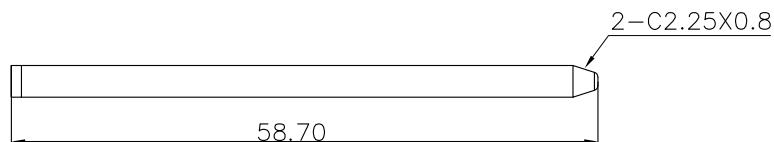
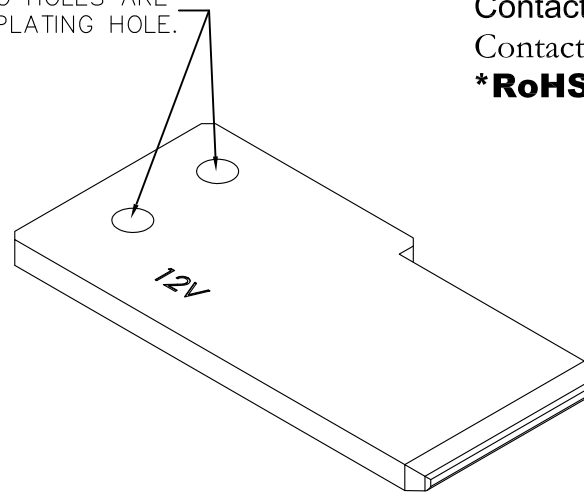


REV.	SPECIFICATION	ECN NO.	APPD.
R3		ECN201210	



**Material and Plating:**  
**Contacts:** Red Copper, Gold Plated on Contact Area over 50μ" min Nickel.  
**\*RoHS Compliant**



9192- BB C 4 B 002  
 Series BusBar Number  
 C: Selective Gold Plated B: Bulk Package  
 4: 15u"

0~5	±0.10
5~10	±0.15
10~25	±0.20
25~50	±0.25
50~100	±0.30
100~250	±0.35
250~500	±0.40

Tolerances	Dwg. No.	9192-D0000-008	Title:	9192 Series	 <b>OUPIN ELECTRONIC(KUNSHAN) CO., LTD.</b> P/N:9192-BBC4B002 SHEET 1/1 Ver. No. R3
x = ±0.5	Projection				
.x = ±0.25	Unit	mm	Scale	1:1	
.xx = ±0.15	Drawn By	zcc 12/05'20			