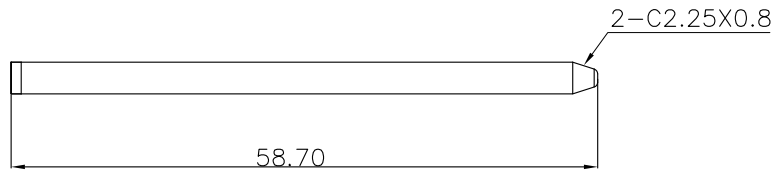


REV.	SPECIFICATION	ECN NO.	APPD.
R3		ECN201210	

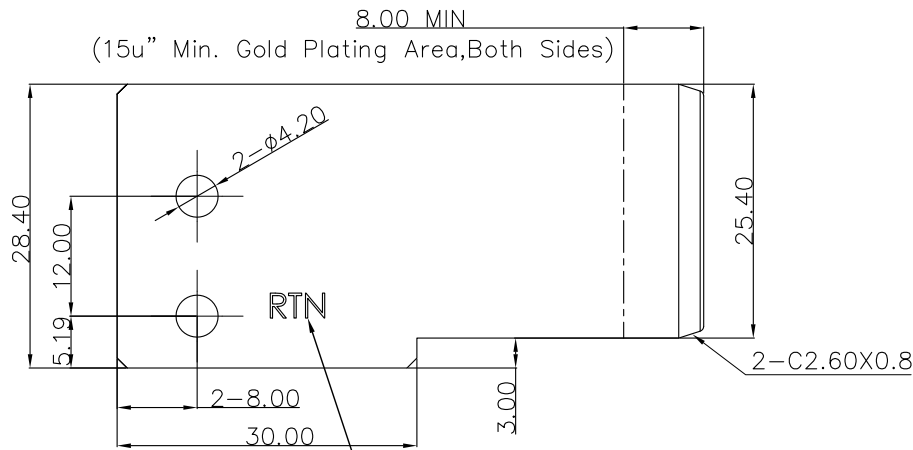
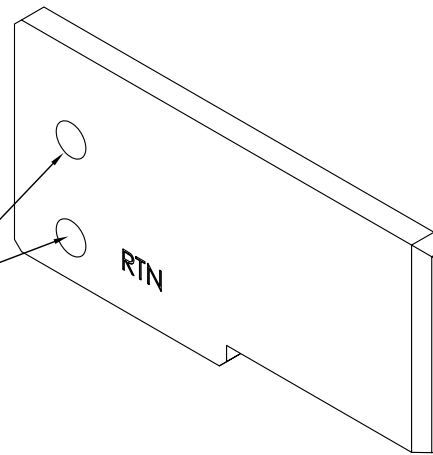
Material and Plating:

Contacts: Red Copper, Gold Plated on Contact Area over 50μ" min Nickel.

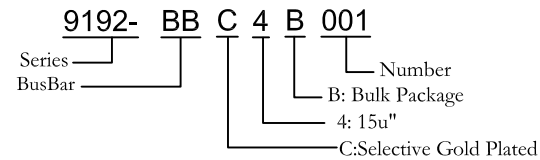
***RoHS Compliant**



THESE TWO HOLES ARE HANGING PLATING HOLE.



THE MARK SHOULD BE MINIMUM 2.5MM HIGHT, 0.08MM DEEP



TOLERANCE TABLE	
0~5	±0.10
5~10	±0.15
10~25	±0.20
25~50	±0.25
50~100	±0.30
100~250	±0.35
250~500	±0.40

Tolerances	Dwg. No.	9192-D0000-007		Title:	
x = ±0.5	Projection			9192 Series	
.x = ±0.25	Unit	mm	Scale		1:1
.xx = ±0.15	Drawn By	zcc 12/05'20			

OUPIIN			
OUPIIN ELECTRONIC(KUNSHAN) CO., LTD.			
P/N: 9192-BBC4B001			
SHEET	1/1	Ver. No.	R3