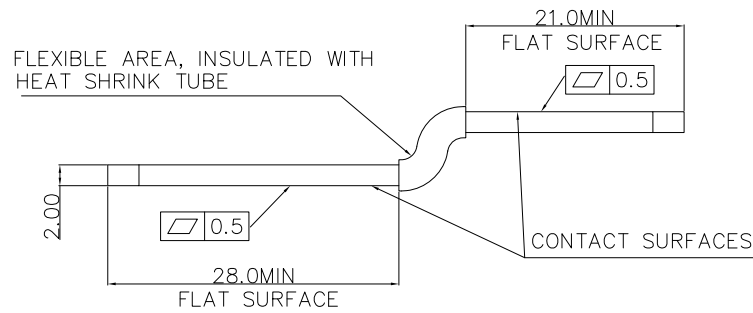
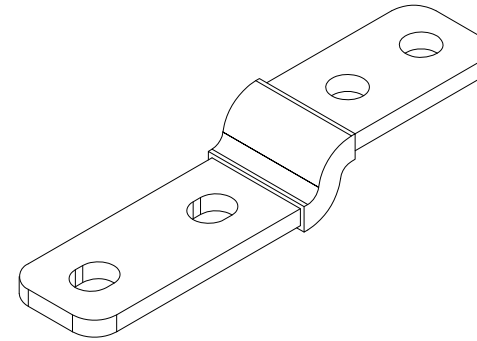
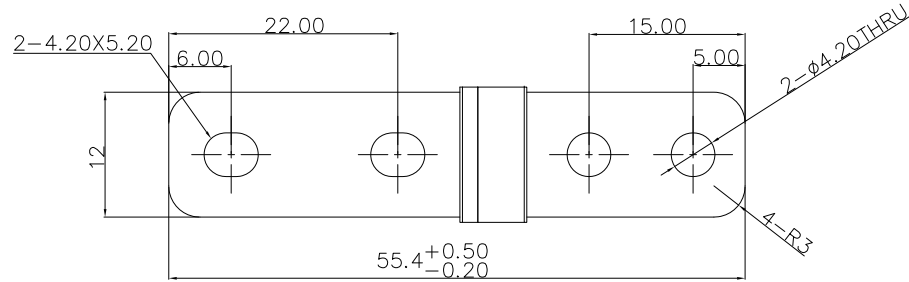


REV.	SPECIFICATION	ECN NO.	APPD.
R2		ECN240323	

Material and Plating:
 Contacts: Red Copper, 120u"Min Nickel Plated .
***RoHS Compliant**



9192-Z BB N H A 001

Series — BusBar — Number — A:Tray Package — H: With Heat Shrink Tube — N:Selective Ni Plated

TOLERANCE TABLE	
0~5	±0.10
5~10	±0.15
10~25	±0.20
25~50	±0.25
50~100	±0.30
100~250	±0.35
250~500	±0.40

Dwg. No.	9192-D0000-026	Title:	9192-Z Series		
Projection					
Unit	mm	Scale	1:1		
Drawn By	XS 03/18'24				
			OUPIN		
			OUPIN ELECTRONIC(KUNSHAN) CO., LTD.		
			P/N: 9192-ZBBNHA001		
SHEET	1/1	Ver. No.	R2		