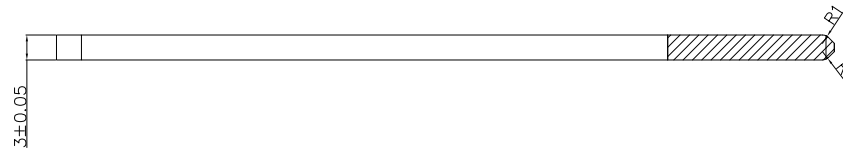
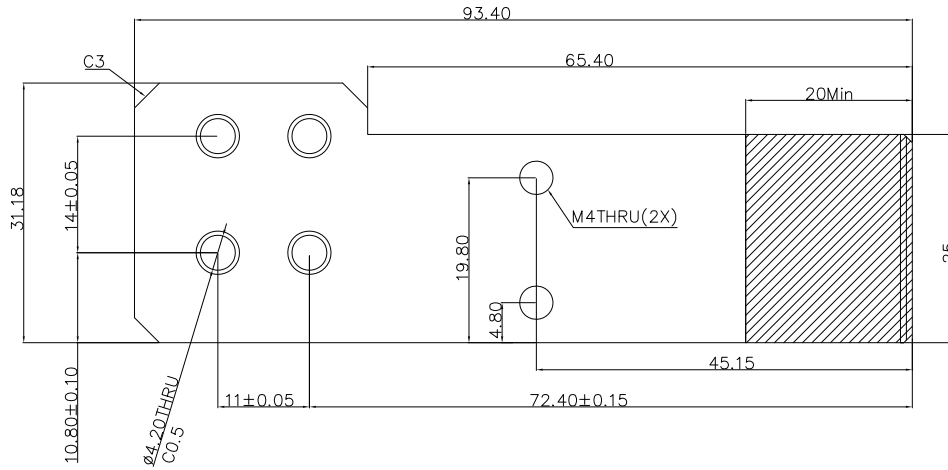
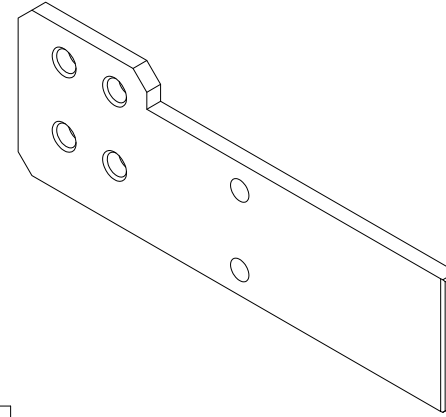


REV.	SPECIFICATION	ECN NO.	APPD.
R1		ECN221209	

Material and Plating:
Contacts: Red Copper, 200 μ " min Ag Plated on Contact Area over 120 μ " min Nickel.
***RoHS Compliant**



9192- BB A B 018

Series — BusBar — Number — B: Bulk Package — A: Selective Ag plating

0~5	\pm 0.10
5~10	\pm 0.15
10~25	\pm 0.20
25~50	\pm 0.25
50~100	\pm 0.30
100~250	\pm 0.35
250~500	\pm 0.40

Tolerances	Dwg. No.	9192-D0000-025		Title:	9192 Series	
x = \pm0.5	Projection					
.x = \pm0.25	Unit	mm	Scale	1:1		
.xx = \pm0.15	Drawn By	XS 12/06'22				

OUPIIN ELECTRONIC(KUNSHAN) CO., LTD.			
P/N: 9192-BBAB018			
SHEET	1/1	Ver. No.	R1