

REV.	SPECIFICATION	ECN NO.	APPD.
X2		ECN2302--	

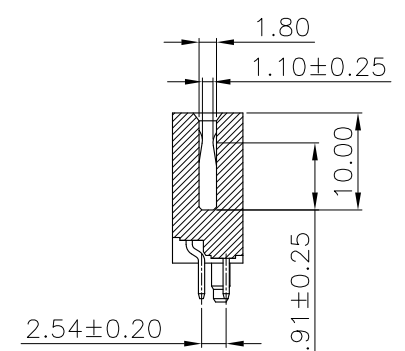
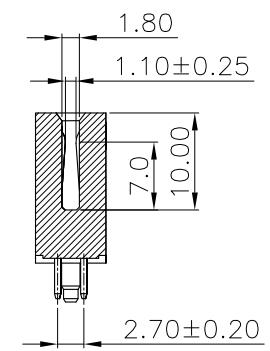
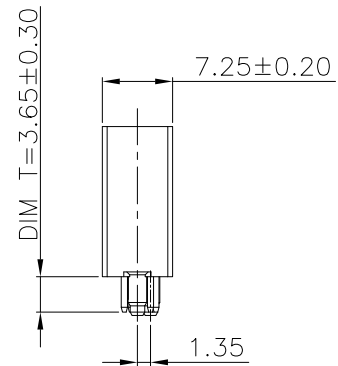
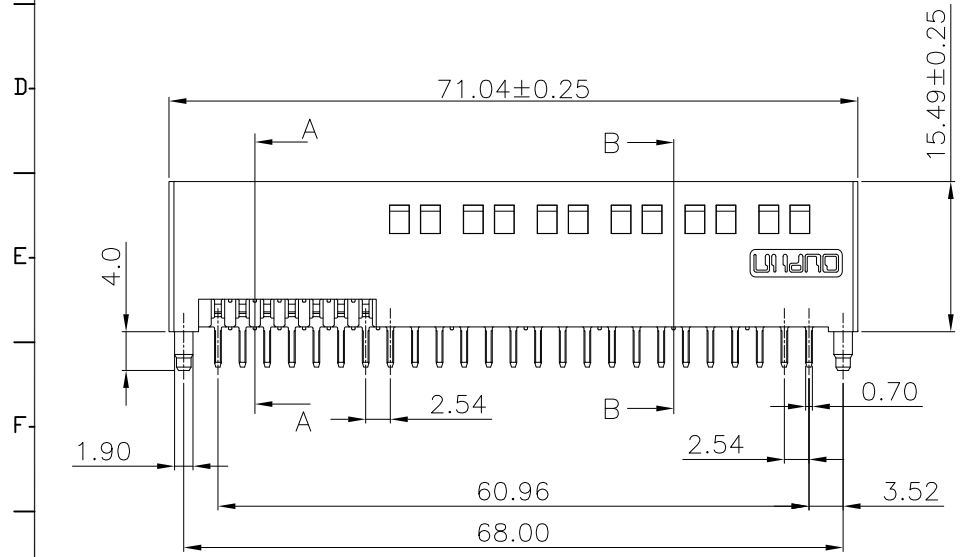
Material and Plating:

Housing: LCP, UL94V-0 ,Black.
 Power Contacts: High Conductivity Copper .
 Gold Plated on Contact Area and 80u" Min Tin
 Plated on Solder Tail over nickel 50u" Min .

Electrical Characteristics:

Current Rating: Low Power Pin 4A.
 High Power Pin 36A.
 Dielectric Withstanding Voltage:
 Power Pin AC 1500V For 1 minute.
 Insulator Resistance:
 Power Pin 5000MΩ min. at DC 500V.
 Contact Resistance: Power Pin 10mΩ max.
 Operating Temperature: -55°C ~+105°C.

***RoHS Compliant**



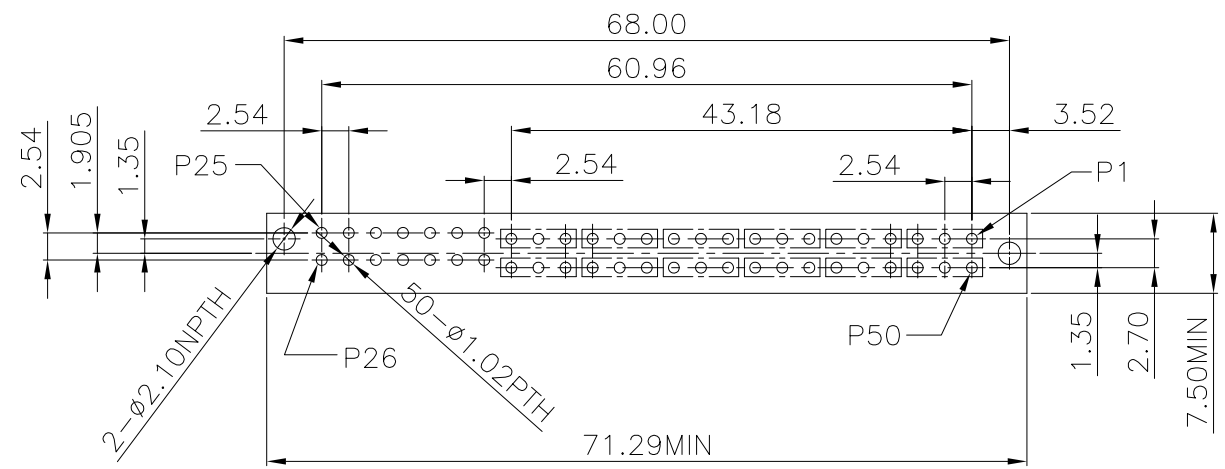
9393-K 2 A2 P 1 1 A Cxx D A
 Series ——— A: Tray Package
 2:Female Straighy ——— D:Dip Type
 A2: Type2 ——— Cxx:Selective Gold Plated
 P:With Post ——— 05: 5u"
 1:DIM T=3.65 ——— A:Power Pitch 2.54mm
 1:DIM G(GAP)=1.10

Tolerances	Dwg No.	9393-D0000-083	
x = ±0.5	Projection	⊕ ↗	
.x = ±0.25	Unit	mm	Scale 1:1
.xx = ±0.15	Drawn By	GYJ 02/10'23	
.xxx = ±0.10			

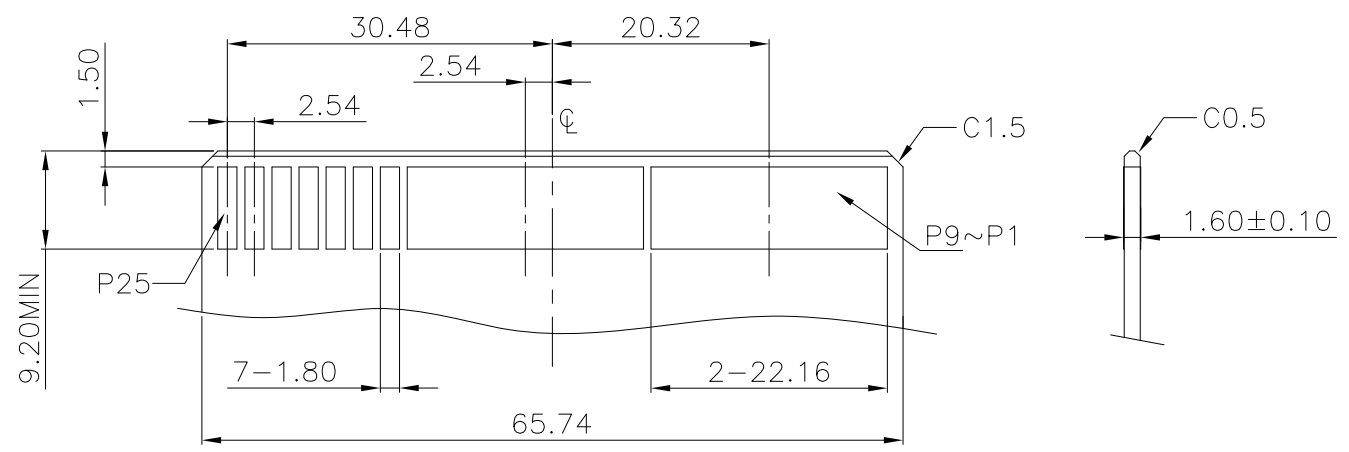
Title:
 9393-K Series
 Power Edge Card
 FEMALE Connector

OUPIN			
OUPIN ELECTRONIC(KUNSHAN) CO., LTD.			
P/N: 9393-K2A2P11ACxxDA			
SHEET	1/2	Ver.No.	X2

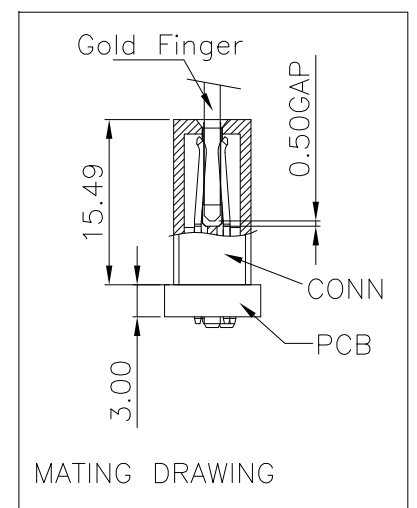
REV.	SPECIFICATION	ECN NO.	APPD.
X2		ECN2302--	



Recommended P.C.Board Layout
(Thickness is 3.0±0.1mm;Tolerance:±0.05)



Recommended P.C.Board Layout
(Tolerance:±0.05)



Tolerances	Dwg No.	9393-D0000-083		Title:	9393-K Series Power Edge Card FEMALE Connector			
x = ±0.5	Projection							
.x = ±0.25	Unit	mm	Scale	1:1				
.xx = ±0.15	Drawn By	GYJ 02/10'23						
.xxx = ±0.10								

OUPIN			
OUPIN ELECTRONIC(KUNSHAN) CO., LTD.			
P/N: 9393-K2A2P11ACxxDA			
SHEET	2/2	Ver.No.	X2